



Instruction Manual

W+ Pump; Low Frame for W+ 22/20

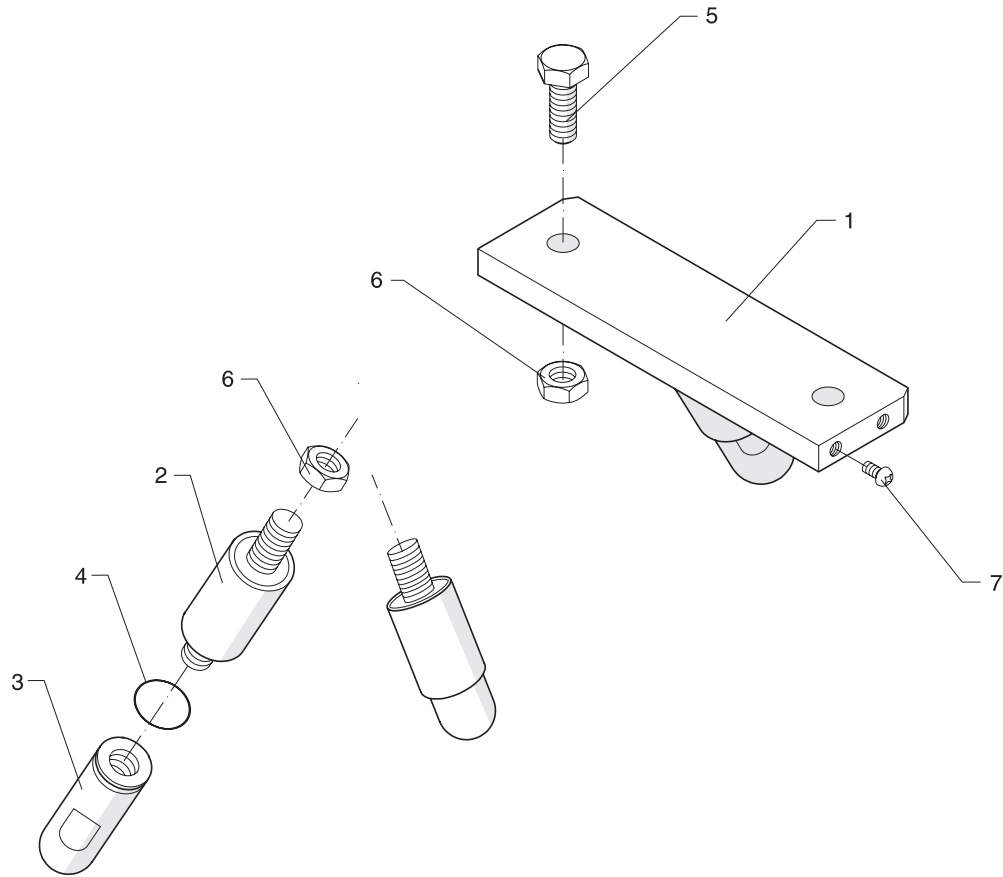
Accessories Manual 8.8



Read and understand this manual prior to operating or servicing this product.

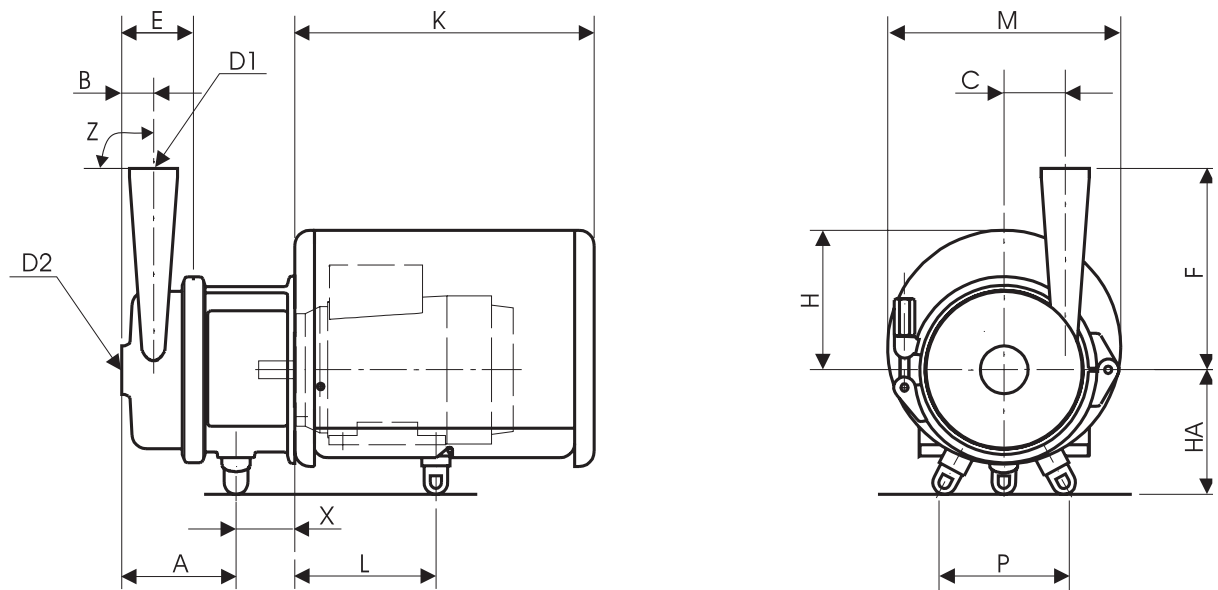


8.8 Stativ lav komplet / Low frame complete



				Motor 80
Pos.	Stk./Qty.	Benævnelse	Description	Del nr. / Part no.
-	-	Komplet	Complete	L194435
1	1	Stativ	Frame	L188654
2	2	Rørben	Leg	L194628
3	3	Tå	Ball type foot	L274229
4	3	O-ring	O-ring	L724121
5	2	Bolt	Pin	L701669
6	4	Møtrik	Nut	L700864
7	2	Skrue	Screw	L700420

8.8 Pumpens mål / Pump dimensions



A	B	C	D1	D2	E	F	H	HA	K	L	M	P	X
123	34	66	51	51	72	215	148	min.133 max.144	321	150	250	148	62

Tolerances: B: $+0$ mm -5 mm F: $+5$ mm -0 mm D1; D2: Nominal
Tolerancer: D1; D2: Nominel Z $90^\circ \pm 1.5^\circ$ K: ± 5 mm Others ± 2 mm
Andre



Your local contact:



APV, An SPX Brand,
Platinvej 8
6000 Kolding, Denmark
Phone: +45 70 278 444 Fax: +45 70 278 445

For more information about our worldwide locations, approvals, certifications, and local representatives, please visit www.apv.com.

SPX reserves the right to incorporate our latest design and material changes without notice or obligation. Design features, materials of construction and dimensional data, as described in this bulletin, are provided for your information only and should not be relied upon unless confirmed in writing. Certified drawings are available upon request.