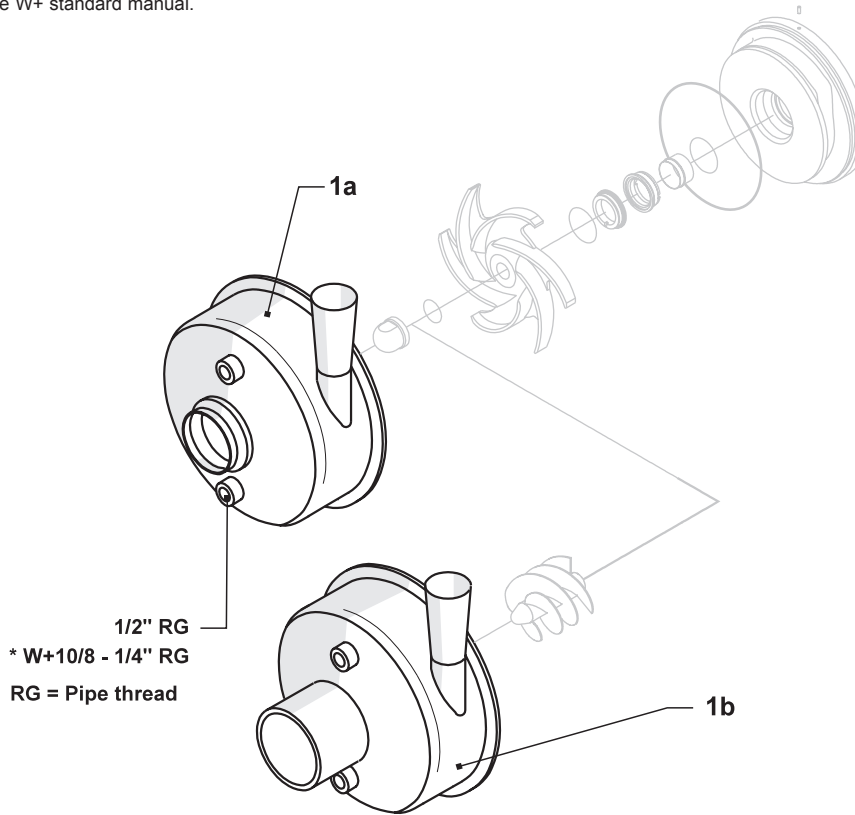


8.2 Køle- /Varmekappe / Heating/Cooling jacket

W+

Denne side er et tillæg til standard W+manualen.
This page is a supplement to the W+ standard manual.



Pump type	Heating/cooling jacket for standard pump body Pos 1a	Heating/cooling jacket for inducer housing Pos 1b
W+10/8 *	L188722	
W+22/20	L182548	L182786
W+30/80	L168627	L182788
W+25/210	L182628	L182789
W+35/35	L168628	L182787
W+35/55	L168629	L182790
W+30/120	L168630	L182791
W+50/8	L182648	
W+55/35	L168631	L182792
W+55/60	L168632	L182793
W+60/110	L168633	L182794
W+65/350	L182633	L182795
W+70/40	L168634	L182796
W+80/80	L168635	L182797
W+110/130	L182634	L182798

Erstatter pos. nr. 1a eller 1b på side 36 - 37 i standard manualen for W+ pumpe.
Replace item No.1a or 1b at page 36 - 37 in the standard manual for W+pumps

Technical note:

Maks. tilladte tryk i køle/varmekappen er 10 bar.

Max. permitted pressure within heating/cooling jacket is 10 bar.