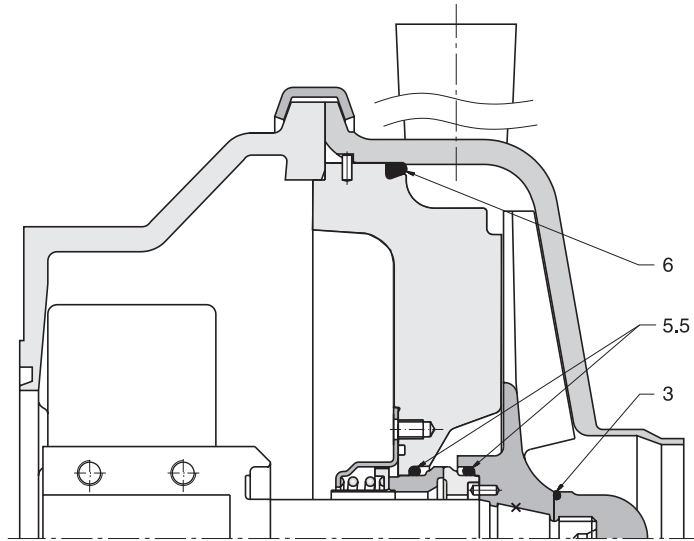


8.5 Komplet paknings sæt (PTFE) / Complete gasket set (PTFE)

W+

Denne side er et tillæg til standard W+manualen.
This page is a supplement to the W+ standard manual.



Pos	Stk/Qty	Benævnelse	Description	Pumpe type / Pump type							
				W+10/8	W+22/20	W+30/80	W+25/210	W+35/35	W+35/55	W+30/120	W+50/8
				Del nr. / Part No.							
-	-	Komplet paknings sæt	Complete gasket set	L801037	L194685	L194682	L194690	L194682	L194682	L194683	L801038
6	1	O-ring for pumpehus	O-ring for pump body	L773238	L773023	L773020	L773028	L773020	L773020	L773022	L773239
5.5	2	O-ring for akseltætning Ø25	O-ring for shaft seal Ø25	L773016	L773016	L773016	-----	L773016	L773016	-----	L773016
5.5	2	O-ring for akseltætning Ø35	O-ring for shaft seal Ø35	-----	-----	-----	L773017	-----	-----	L773017	-----
3	1	O-ring for kalot møtrik Ø25	O-ring for cap nut Ø25	L773468	L773018	L773018	-----	L773018	L773018	-----	L773468
3	1	O-ring for kalot møtrik Ø35	O-ring for cap nut Ø35	-----	-----	-----	L773019	-----	-----	L773019	-----
				W+55/35	W+55/60	W+60/110	W+65/350	W+70/40	W+80/80	W+110/130	
-	-	Komplet paknings sæt	Complete gasket set	L194684	L194683	L194686	L194689	L194691	L194687	L194688	
6	1	O-ring for pumpehus	O-ring for pump body	L773022	L773022	L773024	L773027	L773024	L773025	L773026	
5.5	2	O-ring for akseltætning Ø25	O-ring for shaft seal Ø25	L773016	-----	-----	-----	-----	-----	-----	
5.5	2	O-ring for akseltætning Ø35	O-ring for shaft seal Ø35	-----	L773017	L773017	L773017	L773017	L773017	L773017	
3	1	O-ring for kalot møtrik Ø25	O-ring for cap nut Ø25	L773018	-----	-----	-----	-----	-----	-----	
3	1	O-ring for kalot møtrik Ø35	O-ring for cap nut Ø35	-----	L773019	L773019	L773019	L773019	L773019	L773019	

Materiale: PTFE beklædt O-ring FPM (Viton)
Material: PTFE encapsulated O-ring FPM (Viton)