



Instruction Manual

W+ Pump Electro Polished

Accessories Manual 8.6

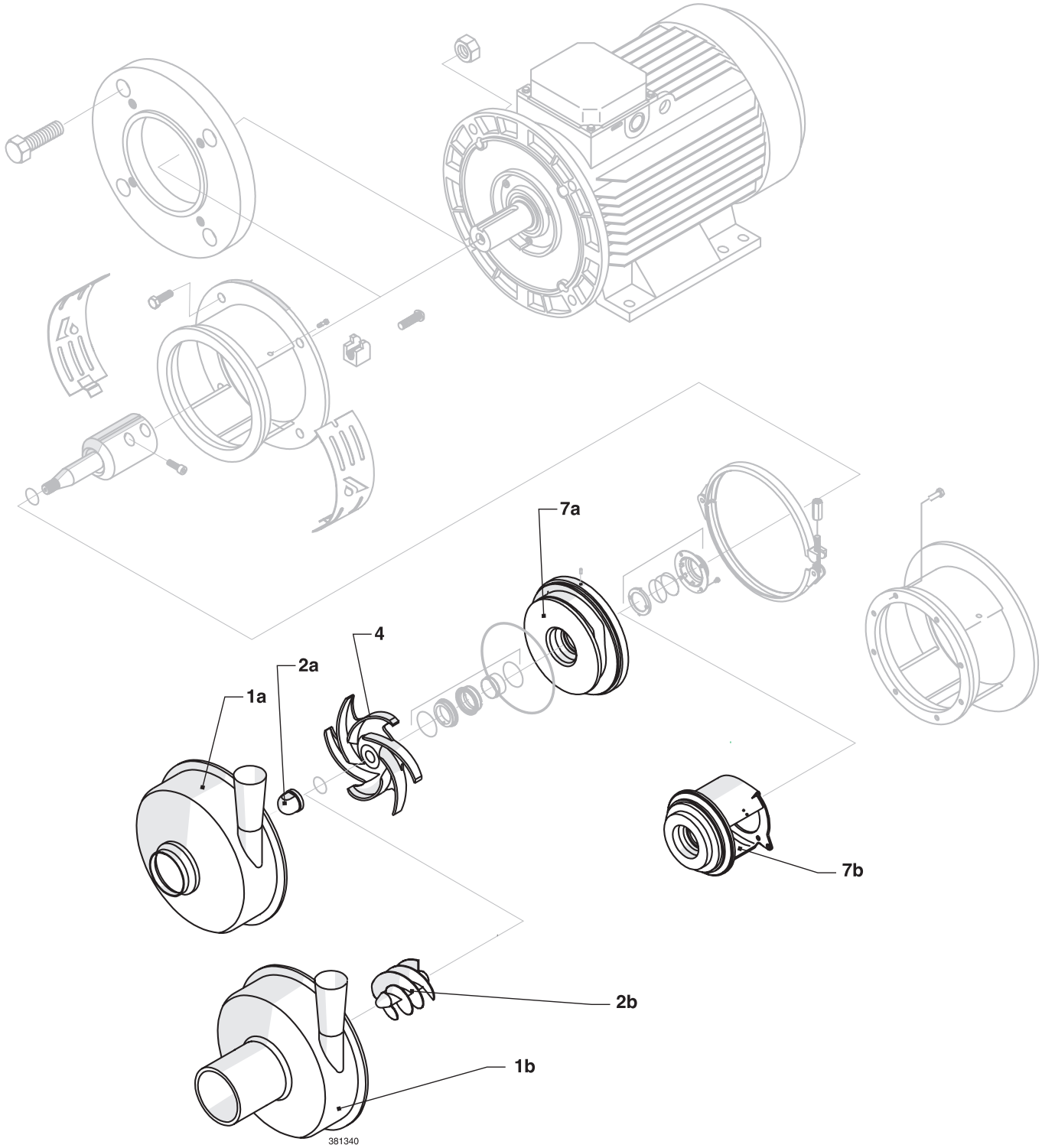


Read and understand this manual prior to operating or servicing this product.



8.6 Pumpe komplet / Pump complete

El-poleret / Electro polished



381340 ISS S 09.96

8.6 Pumpe komplet / Pump complete

El-poleret / Electro polished

Alle produktberørte overflader er el-polerede. Disse dele er fremstillet af ikke-støbte materialer.

All surfaces in contact with the product are electro-polished. These parts are manufactured in non-cast materials.

Pos	Stk/Qty	Benævnelse	Description	Pumpe type / Pump type					
				W+10/8	W+22/20	W+30/80	W+35/35	W+35/55	W+50/8
				Del nr. / Part No.					
1a	1	Pumpehus	Pump body	L273932	L182618	L268500	L268501	L268502	L273933
1b	1	Inducerhus	Inducer housing	----	L188671	L188672	L188673	L188674	----
2a	1	Kalot møtrik	Cap nut	L273934	L274256	L274256	L274256	L274256	L273934
2b	1	Inducer	Inducer	----	L194611	L194613	L194611	L194613	----
4	1	Løbehjul	Impeller	s/p 5	s/p 4	s/p 4	s/p 4	s/p 4	s/p 4
7a	1	Bagflange	Back plate			L260983	L260984	L260985	L273936
7b	1	Bagflange	Back plate	L273935	L253479				
				W+55/35	W+55/60	W+60/110	W+70/40	W+80/80	
1a	1	Pumpehus	Pump body	L268504	L268505	L268506	L268507	L268508	
1b	1	Inducerhus	Inducer housing	L188676	L188677	L188678	L188679	L188680	
2a	1	Kalot møtrik	Cap nut	L274256	L274257	L274257	L274257	L274257	
2b	1	Inducer	Inducer	L194611	L194614	L194615	L194612	L194614	
4	1	Løbehjul	Impeller	s/p 5	s/p 5	s/p 5	s/p 5	s/p 5	
7a	1	Bagflange	Back plate	L260988	L260989	L260990	L260991	L260992	

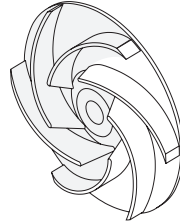
Erstatter pos. nr. 1a, 1b, 2a, 2b, 7a og 7b på side 36 - 37 i standard manualen for W+ pumpe.

Replace item No. 1a,1b, 2a, 2b, 7a and 7b at page 36 - 37 in the standard manual for W+pumps.

s/p = se side / see page.

8.6 Løbehjul / Impeller

El-poleret / Electro polished



Løbehjul/ Impeller DIA	Pumpe type / Pump type				
	W+22/20	W+30/80	W+35/35	W+35/55	W+50/8
	Del nr. / Part No.				
Ø200					L274323
Ø195					L273915
Ø190					L273916
Ø185					L273917
Ø180				L267179	L273918
Ø175			L267167	L267180	L273919
Ø170		L267154	L267168	L267181	L273920
Ø165		L267155	L267169	L267182	L273921
Ø160		L267156	L267170	L267183	L273922
Ø155		L267157	L267171	L267184	L273923
Ø150		L267158	L267172	L267185	L273924
Ø145		L267159	L267173	L267186	L273925
Ø140	L267144*	L267160	L267174	L267187	L273926
Ø135	L267145	L267161	L267175	L267188	
Ø130	L267146	L267162	L267176	L267189	
Ø125	L267147	L267163	L267177	L267190	
Ø120	L267148	L267164	L267178	L267191	
Ø115	L267149	L267165			
Ø110	L267150	L267166			
Ø105	L267151				
Ø100	L267152				
Ø95	L267153				

* Ø142

8.6 Løbehjul / Impeller

El-poleret / Electro polished



Løbehjul Impeller DIA	Pumpe type / Pump type					
	W+10/8	W+55/35	W+55/60	W+60/110	W+70/40	W+80/80
	Del nr. / Part No.					
Ø290						
Ø285						
Ø280						
Ø275						
Ø270						
Ø265						
Ø260						
Ø255						L267252
Ø250						L267253
Ø245						L267254
Ø240					L267241	L267255
Ø235					L267242	L267256
Ø230				L267226	L267243	L267257
Ø225				L267227	L267244	L267258
Ø220			L267213	L267228	L267245	L267259
Ø215			L267214	L267229	L267246	L267260
Ø210		L267201	L267215	L267230	L267247	L267261
Ø205		L267202	L267216	L267231	L267248	L267262
Ø200		L267203	L267217	L267232	L267249	L267263
Ø195		L267204	L267218	L267233	L267250	L267264
Ø190		L267205	L267219	L267234	L267251	
Ø185		L267206	L267220	L267235		
Ø180		L267207	L267221	L267236		
Ø175		L267208	L267222	L267237		
Ø170		L267209	L267223	L267238		
Ø165		L267210	L267224	L267239		
Ø160		L267211	L267225	L267240		
Ø155		L267212				
Ø150						
Ø145						
Ø140						
Ø135						
Ø110	L273927					
Ø105	L273928					
Ø100	L273929					
Ø95	L273930					
Ø90	L273931					



Your local contact:



APV, An SPX Brand,
Platinvej 8
6000 Kolding, Denmark
Phone: +45 70 278 444 Fax: +45 70 278 445

For more information about our worldwide locations, approvals, certifications, and local representatives, please visit www.apv.com.

SPX reserves the right to incorporate our latest design and material changes without notice or obligation. Design features, materials of construction and dimensional data, as described in this bulletin, are provided for your information only and should not be relied upon unless confirmed in writing. Certified drawings are available upon request.