

## 8.4 Hjælpeanordning recirkulation/ Auxiliary recirculation piping plans W+

Denne side er et tillæg til standard W+ manualen.  
This page is a supplement to the W+ standard manual.

### INDVENDIG PRODUKT CIRKULERING:

Cirkulering af væske fra pumpens trykside til akseltætning-kammeret

Svarer til basis arrangement:

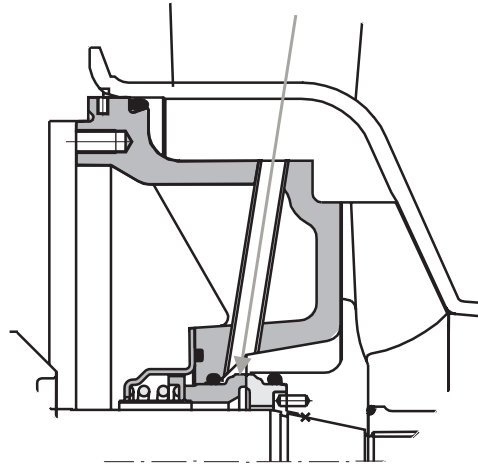
Code no. 02 ISO 5199

### INTERNAL PRODUCT CIRCULATION:

Circulation of fluid from the pressure side to the shaft seal chamber.

Corresponds to the basic arrangement:

Code no. 02 ISO 5199



### FORMÅL:

Formålet er at fjerne genereret friktionsvarme fra tætningen og derved sænke temperaturen, eller at hindre at aflejringer opbygges.

### PURPOSE:

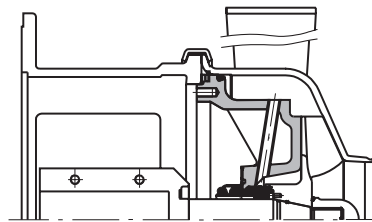
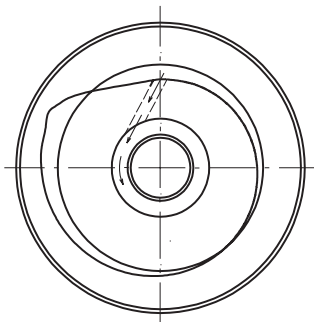
The purpose is to remove frictional heat from the seal area, to lower the temperature of the seal or to prevent build-up of product due to excess heat.

### RECIRKULATIONS ARRANGEMENT:

På W+pumperne er arrangementet indbygget i specielle bagflanger. Disse erstatter således standard bagflanger i W+pumper.

### RECIRCULATION ARRANGEMENT:

On the W+pumps the arrangement has been built into special back plates. Therefore, these will replace the standard back plates in the W+ pump range.



Pumpe type for speciel bagflange / Pump type for special back plate													
Del nr. Part no.	W+10/8	W+22/20	W+30/80	W+30/120	W+35/35	W+55/35	W+55/60	W+60/110	W+70/40	W+80/80	W+110/130	W+25/210	W+65/350
	L182775	*	L182774	L182777	L278538	L182778	L182779	L182780	L182781	L182782	L182783	L182784	L182785

\* Undtaget herfor er W+22/20. Udformningen af dennes bagflange tillader som standard recirkulation og erstattes således ikke af en speciel bagflange.

\* Except for the W+22/20. The backplate will in its standard version allow recirculation and thus is not replaced.

Erstatter pos. nr. 7 på side 36 - 37 i standard manualen for W+ pumpe.

Replace item No. 7 at page 36 - 37 in the standard manual for W+ pumps