



# Instruction Manual W+ Pump 3A Accessories Manual 8.7

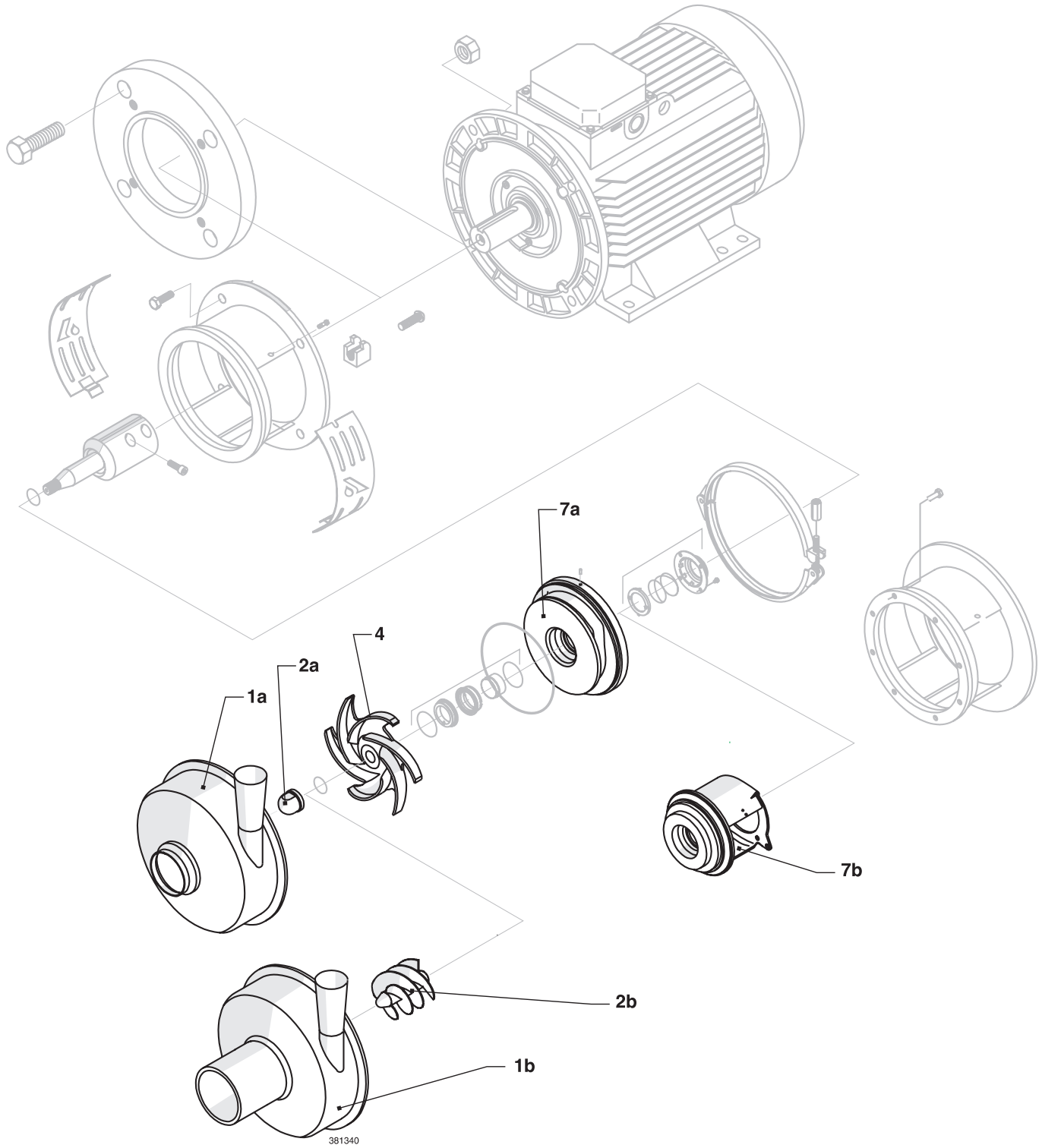


Read and understand this manual prior to operating or servicing this product.



## 8.7 Pumpe komplet / Pump complete

3A



## 8.7 Pumpe komplet / Pump complete

3A

"Pumpe 3A": Alle produktberørte dele er poleret, så de har en overfladeruhed på < 0.8 µm (Ra) ifølge 3A Sanitary Standards krav.

"Pump 3A": All component surfaces, where they are in contact with the product, polished < 0.8 µm (Ra) in accordance with 3A Sanitary Standards requirements.

Pos	Stk/Qty	Benævnelse	Description	Pumpe type / Pump type							
				W+10/8	W+22/20	W+30/80	W+25/210	W+35/35	W+35/55	W+30/120	W+50/8
				Del nr. / Part No.							
1a	1	Pumpehus	Pump body	L273901	L182511	L268510	L253430	L268511	L268512	L268513	L273902
1b	1	Inducerhus	Inducer housing	---	L188600	L188601	L188611	L188602	L188603	L188604	---
2a	1	Kalot møtrik	Cap nut	L274383	L274213	L274213	L274214	L274213	L274213	L274214	L274383
2b	1	Inducer	Inducer	---	L188248	L188250	L182698	L188248	L188250	L188252	---
4	1	Løbehjul	Impeller	s/p 5	s/p 4	s/p 4	s/p 5	s/p 4	s/p 4	s/p 5	s/p 4
7a	1	Bagflange	Back plate	---	---	L260949	L260959	L260950	L260951	L260952	L260961
7b	1	Bagflange	Back plate	L260947	L260948	---	---	---	---	---	---
				W+55/35	W+55/60	W+60/110	W+65/350	W+70/40	W+80/80	W+110/130	
1a	1	Pumpehus	Pump body	L268514	L268515	L268516	L253431	L268517	L268518	L253429	
1b	1	Inducerhus	Inducer housing	L188605	L188606	L188607	L188612	L188608	L188609	L188610	
2a	1	Kalot møtrik	Cap nut	L274213	L274214	L274214	L274214	L274214	L274214	L274214	
2b	1	Inducer	Inducer	L188248	L188251	L188252	L182698	L188249	L188251	L188252	
4	1	Løbehjul	Impeller	s/p 5	s/p 5	s/p 5	s/p 5	s/p 5	s/p 5	s/p 5	
7a	1	Bagflange	Back plate	L260953	L260954	L260955	L260960	L260956	L260957	L260958	

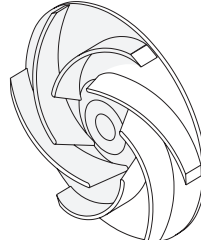
Erstatter pos. nr. 1a, 1b, 2a, 2b, 7a og 7b på side 36 - 37 i standard manualen for W+ pumpe.

Replace item No. 1a,1b, 2a, 2b, 7a and 7b at page 36 - 37 in the standard manual for W+pumps.

s/p = se side / see page.

## 8.7 Løbehjul / Impeller

3A



Løbehjul/ Impeller DIA	Pumpe type / Pump type				
	W+22/20	W+30/80	W+35/35	W+35/55	W+50/8
	Del nr. / Part No.				
Ø200					L267352
Ø195					L273903
Ø190					L273904
Ø185					L273905
Ø180				L253751	L273906
Ø175			L267000	L253752	L273907
Ø170		L261221	L267001	L253753	L273908
Ø165		L261222	L267002	L253754	L273909
Ø160		L261223	L267003	L253755	L273910
Ø155		L261224	L267004	L253756	L273911
Ø150		L261225	L267005	L253757	L273912
Ø145		L261226	L267006	L253758	L273913
Ø140	L253767*	L261227	L267007	L253759	L273914
Ø135	L253768	L261228	L267008	L253760	
Ø130	L253769	L261229	L267009	L253761	
Ø125	L253770	L261230	L267010	L253762	
Ø120	L253771	L261231	L267011	L253763	
Ø115	L253772	L261232			
Ø110	L253773	L261233			
Ø105	L253774				
Ø100	L253775				
Ø95	L253776				

\* Ø142

## 8.7 Løbehjul / Impeller

3A



Løbehjul Impeller DIA	Pumpe type / Pump type									
	W+10/8	W+30/120	W+55/35	W+55/60	W+60/110	W+70/40	W+80/80	W+110/130	W+25/210	W+65/350
	Del nr. / Part No.									
Ø290								L267057	L267076	
Ø285								L267058	L267077	
Ø280								L267059	L267078	
Ø275								L267060	L267079	
Ø270								L267061	L267080	
Ø265								L267062	L267081	
Ø260								L267063	L267082	L267100
Ø255							L267044	L267064	L267083	L267101
Ø250							L267045	L267065	L267084	L267102
Ø245							L267046	L267066	L267085	L267103
Ø240						L267033	L267047	L267067	L267086	L267104
Ø235						L267034	L267048	L267068	L267087	L267105
Ø230					L267115	L267035	L267049	L267069	L267088	L267106
Ø225					L267116	L267036	L267050	L267070	L267089	L267107
Ø220				L253777	L267117	L267037	L267051	L267071	L267090	L267108
Ø215				L253778	L267118	L267038	L267052	L267072	L267091	L267109
Ø210			L267021	L253779	L267119	L267039	L267053	L267073	L267092	L267110
Ø205			L267022	L253780	L267120	L267040	L267054	L267074		L267111
Ø200			L267023	L253781	L267121	L267041	L267055	L267075		L267112
Ø195			L267024	L253782	L267122	L267042	L267056			L267113
Ø190			L267025	L253783	L267123	L267043				L267114
Ø185			L267026	L253784	L267124					
Ø180			L267027	L253785	L267125					
Ø175		L267012	L267028	L253786	L267126					
Ø170		L267013	L267029	L253787	L267127					
Ø165		L267014	L267030	L253788	L267128					
Ø160		L267015	L267031	L253789	L267129					
Ø155		L267016	L267032							
Ø150		L267017								
Ø145		L267018								
Ø140		L267019								
Ø110	L267347									
Ø105	L267348									
Ø100	L267349									
Ø95	L267350									
Ø90	L267351									



Your local contact:



APV, An SPX Brand,  
Platinvej 8  
6000 Kolding, Denmark  
Phone: +45 70 278 444 Fax: +45 70 278 445

For more information about our worldwide locations, approvals, certifications, and local representatives, please visit [www.apv.com](http://www.apv.com).

SPX reserves the right to incorporate our latest design and material changes without notice or obligation. Design features, materials of construction and dimensional data, as described in this bulletin, are provided for your information only and should not be relied upon unless confirmed in writing. Certified drawings are available upon request.