



Instruction Manual DW Pumps Spare Parts List

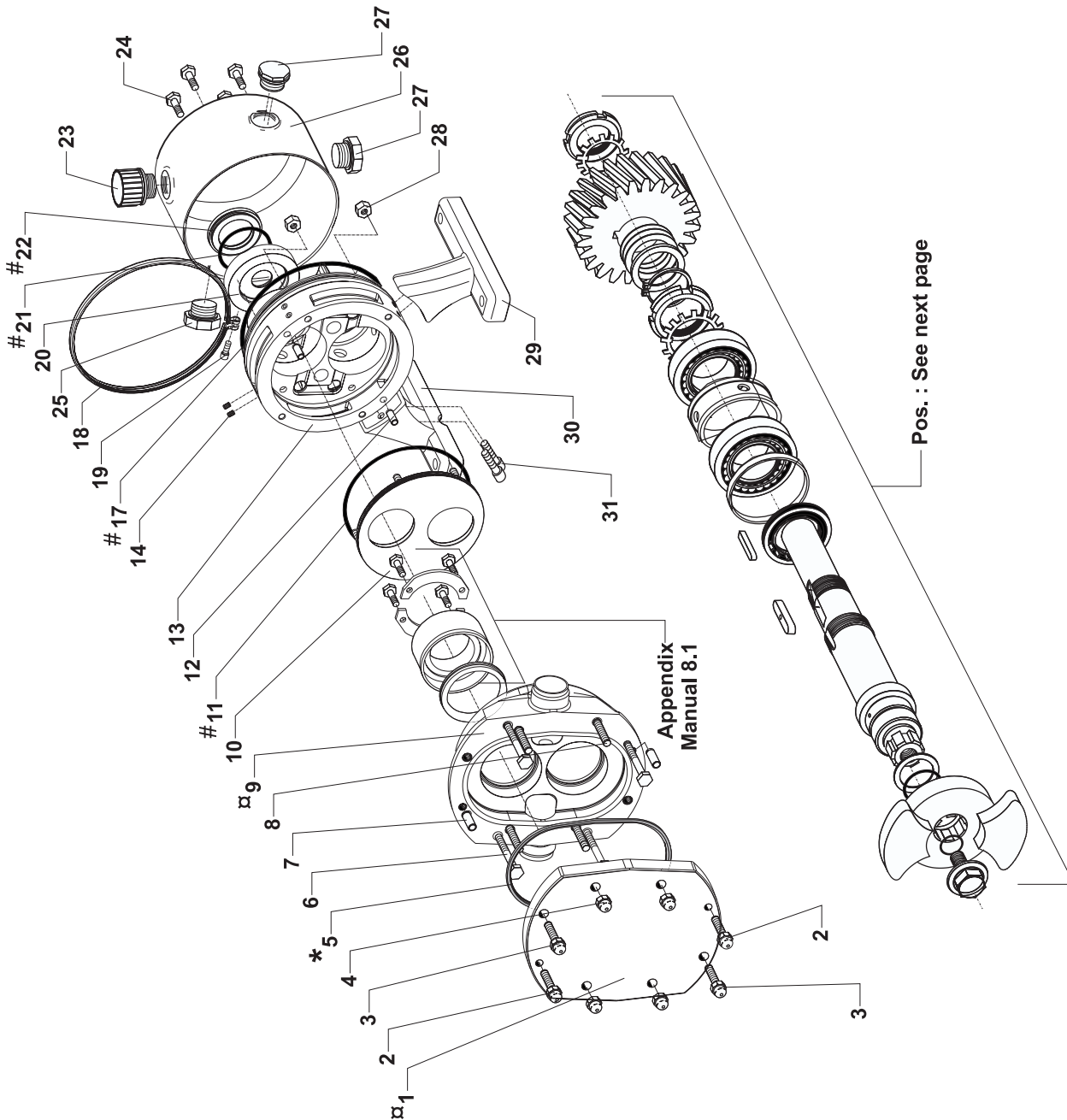


Read and understand this manual prior to operating or servicing this product.



7. Pumpe komplet / Pump complete

Std. DW 1



* Produkt berørt paknings kit / Wet end seal kit
 # Gear boks paknings kit / Gear box seal kit

7. Pumpe komplet / Pump complete

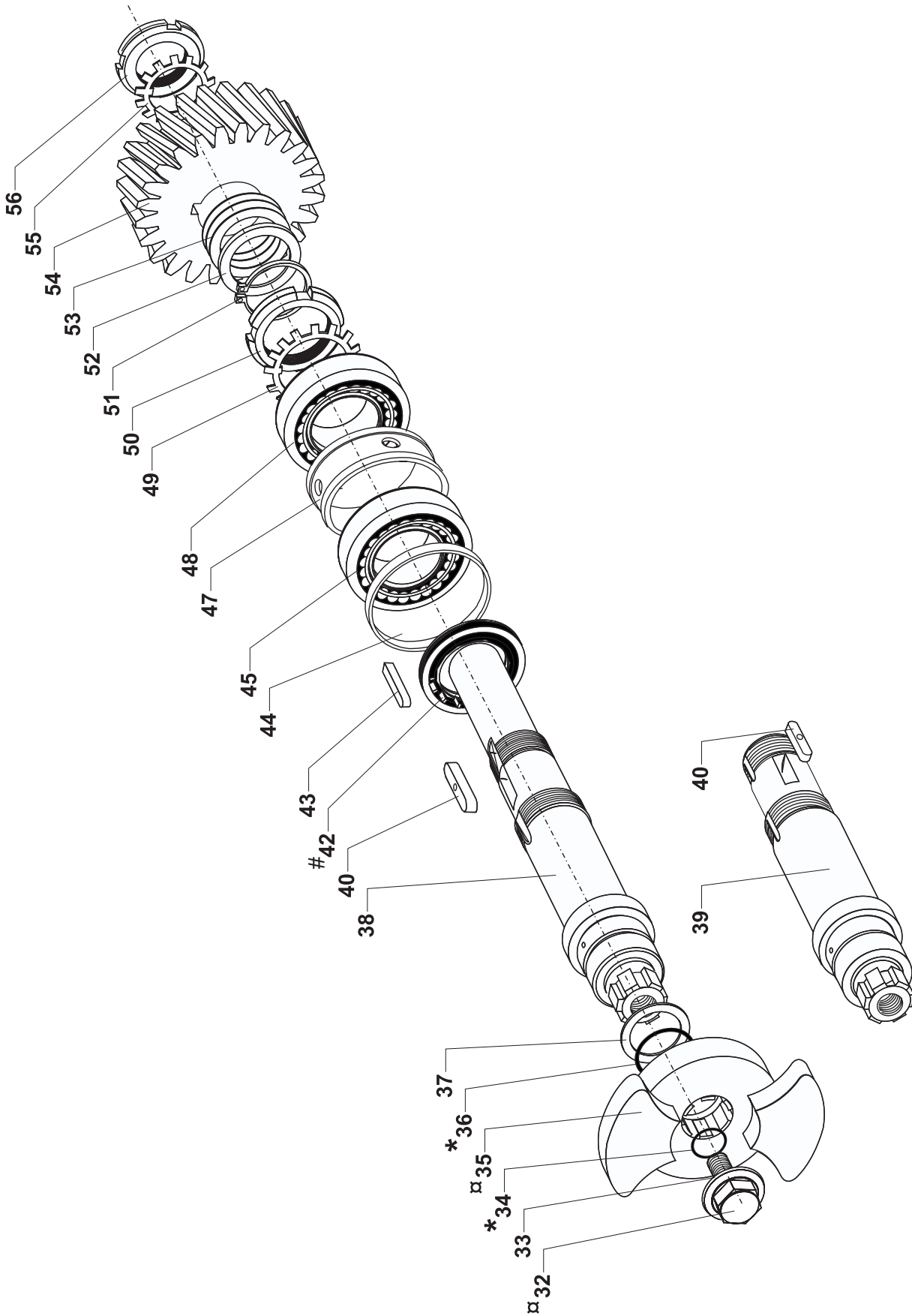
Std. DW 1

NB! Nedenstående α varenumre, dækker ikke pumper solgt med 3.1 certifikat.
 For 3.1 reservedele, kontakt APV.
 α Part No. mentioned below, do not cover pumps sold with 3.1 certificate.
 For 3.1 spare parts, contact APV.

| Pos | Stk/Qty | Material | Benævnelse | Description | Del nr. / Part No. | | | |
|----------------------|---------|-------------|----------------------------------|------------------------------|--------------------|------------|---------------|------------|
| | | | | | Piston | Lobe | Lobe | Lobe |
| | | | | | DW1/00415 | DW1/00717 | DW1/00715_600 | |
| α 1 | 1 | 316L | Frontdæksel | Front cover | LA1110101 | LA1110100 | LA1110100 | LA1110100 |
| 2 | 2 | 304S.S | Stor bolt, front plade | Big bolt, front cover | LA1000100 | LA1000100 | LA1000100 | LA1000100 |
| 3 | 2 | 304S.S | Lille bolt, front plade | Small bolt, front cover | LA1001200 | LA1001200 | LA1001200 | LA1001200 |
| 4 | 4 | AISI 304 | Møtrik, frontplade | Nut, front cover dome | L700243 | L700243 | L700243 | L700243 |
| 6 | 4 | 304S.S | Skruer, rotorhus/ lejekonsol | Screw, rotor case to chassis | L773450 | L773450 | L773452 | L773452 |
| 7 | 2 | 316S.S | Styrestift | Dowel | LA1160320 | LA1002100 | LA1002100 | LA1002100 |
| 8 | 4 | AISI 304 | Støttebolt, frontplade | Stud, front cover | LA1002100 | LA1002100 | LA1002100 | LA1002100 |
| α 9 | 1 | 316L | Rotorhus | Rotor case | LA17991003 | LA17991007 | LA17991007 | LA17991007 |
| 10 | 1 | 304S.S. | Olietætningsplade | Oil seat plate | LA1312100 | LA1312100 | LA1312100 | LA1312100 |
| 12 | 2 | 316S.S | Styrestift, rotorhus/ lejekonsol | Dowel, rotor case to chassis | LA1160320 | LA1160320 | LA1160320 | LA1160320 |
| 13 | 1 | 1. 4305 | Lejekonsol | Chassis | LA1302100 | LA1302100 | LA1302100 | LA1302100 |
| 14 | 4 | 304S.S | Blindskruer | Plug | LA2000100 | LA2000100 | LA2000100 | LA2000100 |
| 18 | 1 | 304S.S | Clampring | Clamp ring | LA1354100 | LA1354100 | LA1354100 | LA1354100 |
| 19 | 1 | 304S.S | Skruer for clampring | Screw for clampring | L772962 | L772962 | L772962 | L772962 |
| 20 | 1 | Brass | Holder for læbetætning | Seal consol | LA1301100 | LA1301100 | LA1301100 | LA1301100 |
| 23 | 1 | Plastic | Oliepåfyldningsstuds | Oil filler plug | L2202000 | L2202000 | L2202000 | L2202000 |
| 24 | 4 | 304S.S. | Skruer, holder for læbetætning | Screw, seal consol | L701517 | L701517 | L701517 | L701517 |
| 25 | 1 | Plastic | Olieskueglas | Oil level window | L2220000 | L2220000 | L2220000 | L2220000 |
| 26 | 1 | 304S.S | Tandhjulskappe | Can | LA1364100 | LA1364100 | LA1364100 | LA1364100 |
| 27 | 2 | Plastic | Oliedrænprop | Oil drain plug | L2210A000 | L2210A000 | L2210A000 | L2210A000 |
| 28 | 4 | 304S.S. | Klemåsemøtrik, olietætningsplade | Nut, oil seal plate | L773649 | L773649 | L773649 | L773649 |
| 29 & 30 | 1 | 304S.S | Fødder (1 par) | Feet (1 pair) | LA1145100 | LA1145100 | LA1145100 | LA1145100 |
| 31 | 4 | 304S.S | Skruer for fod | Screw for foot | L701057 | L701057 | L701057 | L701057 |
| * 5, 34 & 36 | 1 | EPDM | Produktberørt paknings kit | Wet end seal kit | LA2380104 | LA2380104 | LA2380104 | LA2380104 |
| - | 1 | FPM (Viton) | Produktberørt paknings kit | Wet end seal kit | LA2380102 | LA2380102 | LA2380102 | LA2380102 |
| - | 1 | ISOLAST | Produktberørt paknings kit | Wet end seal kit | LA2380115 | LA2380115 | LA2380115 | LA2380115 |
| #11, 17, 21, 22 & 42 | 1 | FPM (Viton) | Gear boks paknings kit | Gear box seal kit | LA2381102 | LA2381102 | LA2381102 | LA2381102 |

7. Pumpe komplet / Pump complete

Std. DW 1



* Produkt berørt paknings kit / Wet end seal kit
Gear boks paknings kit / Gear box seal kit

7. Pumpe komplet / Pump complete

Std. DW 1

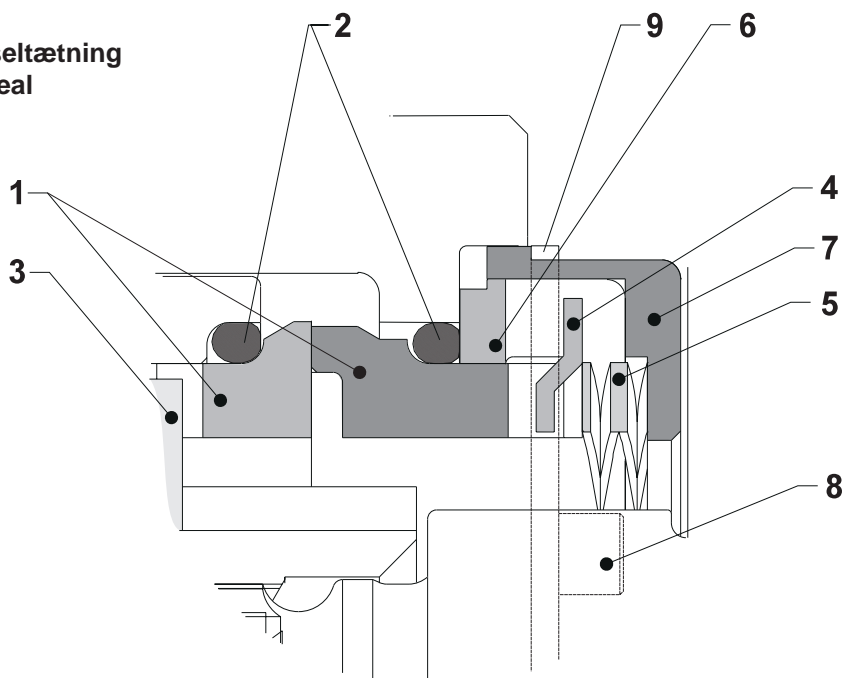
NBI! Nedenstående α varenumre, dækker ikke pumper solgt med 3.1 certifikat.
 For 3.1 reservedele, kontakt APV.
 α Part No. mentioned below, do not cover pumps sold with 3.1 certificate.
 For 3.1 spare parts, contact APV.

| Pos | Stk/Qty | Material | Benævnelse | Description | Del nr. / Part No. | | | |
|-------------|---------|----------|--------------------------------|-------------------------|----------------------|--------------------|-------------------|------------------------|
| | | | | | Piston DW1/0037.5 | Lobe DW1/004/15 | Lobe DW1/007/7 | Lobe DW1/007/15_600 |
| α 32 | 2 | 329S.S | Rotor skrue incl friktionsring | Rotor Screw with washer | LA10501003 | LA10501004 | LA10501006 | LA105010061 |
| 33 | 2 | 18/02 | Friktionsring | Washer ring | LA2658100 | LA2658100 | LA2658100 | LA2658100 |
| α 35 | 2 | 316L | Rotor-høj virkningsgrad | Rotor-high efficiency | LA141003P2SH | LA14100421SH | LA14100721SH | LA14100723SH |
| - | 2 | 316L | Rotor-Multi-Duty | Rotor-Multi-Duty | LA141003P3SH | LA14100423SH | LA14100723SH | LA14100723SH |
| - | 2 | 316L | Rotor-høj temperatur | Rotor-high temperature | LA141003P3SH | LA14100421SY | LA14100721SY | LA14100721SY |
| - | 2 | NGA | Rotor-høj virkningsgrad | Rotor-high efficiency | LA141003P4WH | LA14100424WH | LA14100724WH | LA14100724WH |
| - | 2 | NGA | Rotor høj temperatur | Rotor-high temperature | LA141003P4WH | LA14100424WY | LA14100724WY | LA14100724WY |
| - | 2 | NGA | Rotor-super tight | Rotor-super tight | LA141003P5WH | LA14100425WH | LA14100725WH | LA14100725WH |
| 37 | 1 | 316S.S | Afstandskiver, rotor | Shims, rotor | L2657100 | L2657100 | L2657100 | L2657100 |
| 38 | 1 | AISI329L | Drivaksel | Shaft main | LA1500100 | LA1500100 | LA1501100 | LA1502100 |
| 39 | 1 | AISI329L | Dreven akse | Shaft aux | LA1600100 | LA1600100 | LA1601100 | LA1602100 |
| 40 | 2 | EN 6A | Feder, tandhjul | Gear key | L2180A101 | L2180A101 | L2180A101 | L2180A101 |
| 43 | 1 | EN 6A | Drivfeder | Drive key | L2181A100 | L2181A100 | L2181A100 | L2181A100 |
| 44 | 2 | St. 37-2 | Lejring | Front spacer | LA1856100 | LA1856100 | LA1856100 | LA1856100 |
| 45 | 2 | - | Forreste leje | Bearing front | L2717100 | L2717100 | L2717100 | L2717100 |
| 47 | 2 | St. 37-2 | Afstandscylinder, bageste leje | Spacer, rear bearing | LA1861100 | LA1861100 | LA1861100 | LA1861100 |
| 48 | 2 | - | Bagerste leje | Bearing rear | L2718100 | L2718100 | L2718100 | L2718100 |
| 49 | 2 | - | Spændskive, bagerste leje | Bearing rear tab washer | L2720025 | L2720025 | L2720025 | L2720025 |
| 50 | 2 | - | Møtrik, bagerste leje | Bearing rear nut | L2719025 | L2719025 | L2719025 | L2719025 |
| 51 | 2 | - | Låsering | Circlip | L2177100 | L2177100 | L2177100 | L2177100 |
| 52 | 2 | - | Afstandscylinder, tandhjul | Gear spacer | LA1850100 | LA1850100 | LA1850100 | LA1850100 |
| 53 | 1 | M.S. | Afstandskiver, tandhjul | Gear shims | L4000000 | L4000000 | L4000000 | L4000000 |
| 54 | 1 | - | Tandhjul(1 par) | Gear (1 pair) | LA2750100 | LA2750100 | LA2750100 | LA2750100 |
| 55 | 2 | - | Spændskive, gear | Gear tab washer | L2720020 | L2720020 | L2720020 | L2720020 |
| 56 | 2 | - | Møtrik, gear | Gear nut | L2719020 | L2719020 | L2719020 | L2719020 |

7. Akseltætning / Shaft seal

DW1-5

DW1 - 5 Enkelt mekanisk akseltætning Single mechanical seal



| Pos. | Stk./Qty. | Material | Benævnelse | Description | Pumpe type / Pump type | | | | |
|----------|-----------|---------------------|-----------------------|---------------------|------------------------|-----------|-----------|-----------|-----------|
| | | | | | DW1 | DW2 | DW3 | DW4 | DW5 |
| | | | | | Del nr. / Part No. | | | | |
| 1 & 2 | 1 | SiC/C-EPDM | Seal face kit* | Seal face Kit* | LA2355104 | LA2355204 | LA2355304 | LA2355404 | LA2355504 |
| 1 & 2 | 1 | SiC/SiC-EPDM | Seal face kit* | Seal face Kit* | LA2356104 | LA2356204 | LA2356304 | LA2356404 | LA2356504 |
| 2 | 1 | EPDM | O-rings kit | O-ring kit | LA2310104 | LA2310204 | LA2310304 | LA2310404 | LA2310504 |
| 1 & 2 | 1 | SiC/C-FPM (Viton) | Seal face kit* | Seal face Kit* | LA2355102 | LA2355202 | LA2355302 | LA2355402 | LA2355502 |
| 1 & 2 | 1 | SiC/SiC-FPM (Viton) | Seal face kit* | Seal face Kit* | LA2356102 | LA2356202 | LA2356302 | LA2356402 | LA2356502 |
| 2 | 1 | FPM (Viton) | O-rings kit | O-ring kit | LA2310102 | LA2310202 | LA2310302 | LA2310402 | LA2310502 |
| 1 & 2 | 1 | SiC/C-ISOLAST | Seal face kit* | Seal face Kit* | LA2355115 | LA2355215 | LA2355315 | LA2355415 | LA2355515 |
| 1 & 2 | 1 | SiC/SiC-ISOLAST | Seal face kit* | Seal face Kit* | LA2356115 | LA2356215 | LA2356315 | LA2356415 | LA2356515 |
| 2 | 1 | ISOLAST | O-rings kit | O-ring kit | LA2310115 | LA2310215 | LA2310315 | LA2310415 | LA2310515 |
| 3, 4 & 5 | 1 | SS | Seal service kit** | Seal service kit** | LA2304100 | LA2304200 | LA2304300 | LA2304400 | LA2304500 |
| 6 | 1 | AISI 304 | Ring for tætning | Ring for seal | LA2363101 | LA2363201 | LA2363301 | LA2363401 | LA2363501 |
| 7 | 1 | AISI 304 | Tætningshus | Seal Housing | LA2363102 | LA2363202 | LA2363302 | LA2363402 | LA2363502 |
| 9 | 2 | AISI 304 | Clamp for tætningshus | Clamp, seal housing | LA2363100 | LA2363200 | LA2363300 | LA2363400 | LA2363500 |
| 8 | 4 | 304S.S | Skrue, tætningshus | Screw, seal housing | L770496 | L770496 | L770496 | L701227 | L701227 |

NOTE: Der indgår til en pumpe det dobbelte antal = de valgte dele x 2
For a pump twice the number are required = the parts chosen x 2.

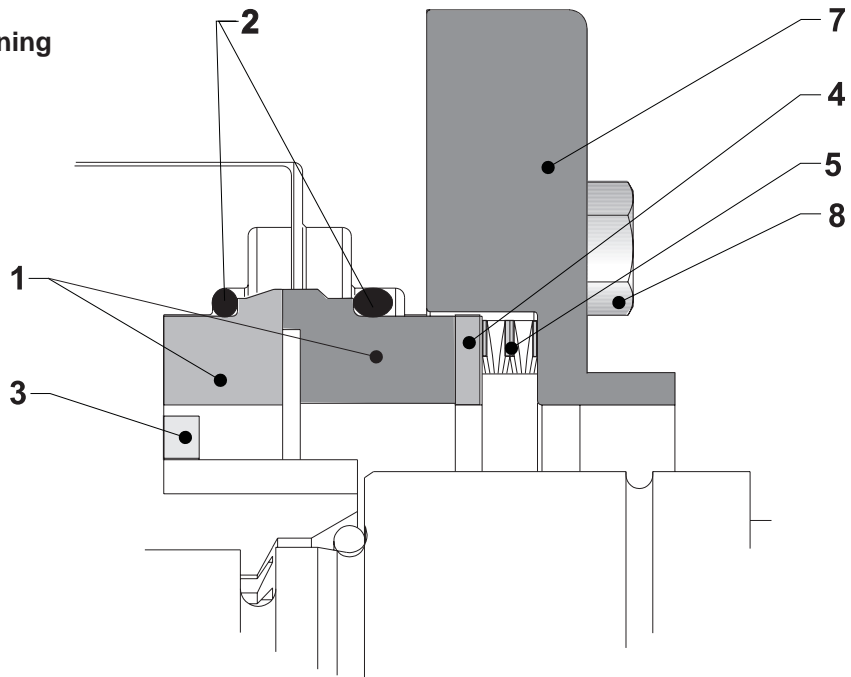
* Seal Face Kit : Statorring, rotorring (1) og 2 O-ringe (2)
Stationary seal face, rotary seal face (1) and 2 off O-rings (2)

** Seal Service Kit : Rotor og stator drivring (3 & 4) & fjeder (5)
Rotary and stationary drive ring (3 & 4) and spring (5)

7. Akseltætning / Shaft seal

DW6-7

DW6 - 7
Enkelt mekanisk akseltætning
Single mechanical seal



| Pos. | Stk./Qty. | Material | Benævnelse | Description | Pumpe type / Pump type | | |
|----------|-----------|---------------------|-------------------------|---------------------|------------------------|------------|--------------|
| | | | | | DW6 | DW7 (lobe) | DW7 (piston) |
| | | | | | Del nr. / Part No. | | |
| 1 & 2 | 1 | SiC/C-EPDM | Seal face kit* | Seal face Kit* | LA2355604 | LA2355704 | LA2355704 |
| 1 & 2 | 1 | SiC/SiC-EPDM | Seal face kit* | Seal face Kit* | LA2356604 | LA2356704 | LA2356704 |
| 2 | 1 | EPDM | O-rings kit | O-ring kit | LA2310604 | LA2310704 | LA2310704 |
| 1 & 2 | 1 | SiC/C-FPM (Viton) | Seal face kit* | Seal face Kit* | LA2355602 | LA2355702 | LA2355702 |
| 1 & 2 | 1 | SiC/SiC-FPM (Viton) | Seal face kit* | Seal face Kit* | LA2356602 | LA2356702 | LA2356702 |
| 2 | 1 | FPM (Viton) | O-rings kit | O-ring kit | LA2310602 | LA2310702 | LA2310702 |
| 1 & 2 | 1 | SiC/C-ISOLAST | Seal face kit* | Seal face Kit* | LA2355615 | LA2355715 | LA2355715 |
| 1 & 2 | 1 | SiC/SiC-ISOLAST | Seal face kit* | Seal face Kit* | LA2356615 | LA2356715 | LA2356715 |
| 2 | 1 | ISOLAST | O-rings kit | O-ring kit | LA2310615 | LA2310715 | LA2310715 |
| 3, 4 & 5 | 1 | SS | Seal service kit** | Seal service kit** | LA2304600 | LA2304700 | LA2304700 |
| 7 | 1 | AISI 304 | Tætningshus | Seal Housing | LA1200601 | LA1200701 | LA1200701 |
| 8 | 4 | 304S.S | Skrue, akseltætningshus | Screw, seal housing | L700234 | L756001 | L701380 |

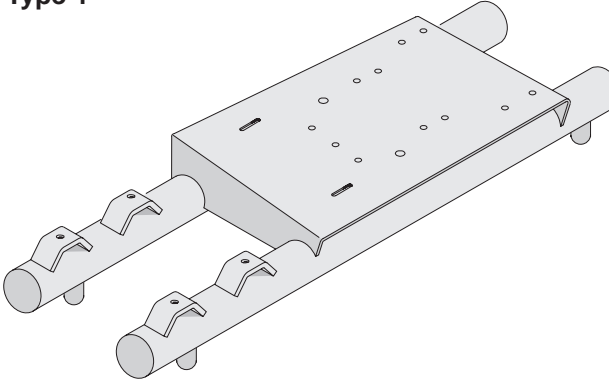
NOTE: Der indgår til en pumpe det dobbelte antal = de valgte dele x 2
For a pump twice the number are required = the parts chosen x 2.

* Seal Face Kit : Statorring, rotorring (1) og 2 O-ringe (2)
Stationary seal face, rotary seal face (1) and 2 off O-rings (2)

** Seal Service Kit : Rotor og stator drivring (3 & 4) & fjeder (5)
Rotary and stationary drive ring (3 & 4) and spring (5)

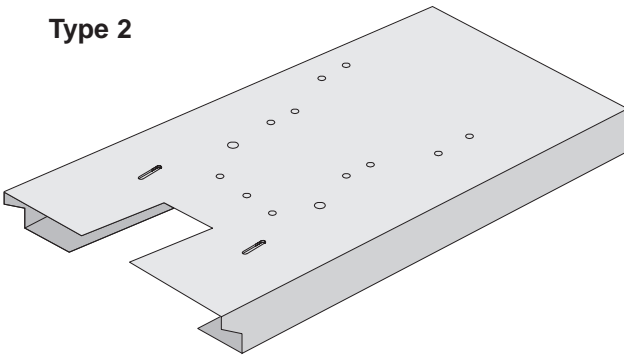
7. Bundramme / Baseplate

Type 1



| | DW1 | DW2 | DW3 | DW4 | DW5 |
|--------|--------------------|-----------|-----------|-----------|-----------|
| | Del nr. / Part No. | | | | |
| Type 1 | LA2760100 | LA2760200 | LA2760300 | LA2760400 | LA2760500 |

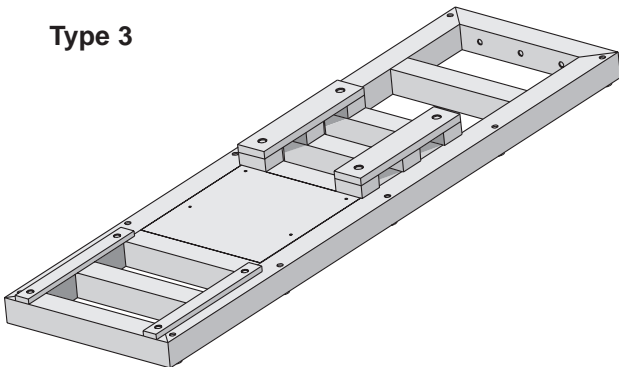
Type 2



| | DW1 | DW2 | DW3 | DW4 | DW5 | DW6 max. 11 kW |
|--------|--------------------|-----------|-----------|-----------|-----------|----------------|
| | Del nr. / Part No. | | | | | |
| Type 2 | LA2764100 | LA2764200 | LA2764300 | LA2764400 | LA2764500 | LA2764600 |
| | | | | | | LA2764601** |

** skal bruges, når akslen er monteret til højre
must be used, when the shaft is monted to the right

Type 3

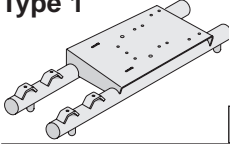


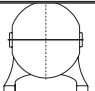
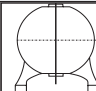
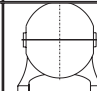
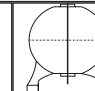
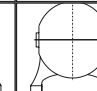
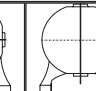
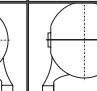
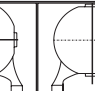
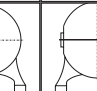
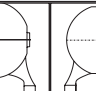
| | DW6 | DW7 |
|--------|--------------------|-------------|
| | Del nr. / Part No. | |
| Type 3 | LA2765xxx * | LA2765xxx * |

Motorkappe komplet / Motorshroud complete

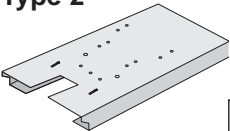
DW1-7

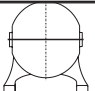
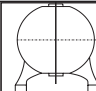
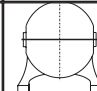
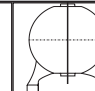
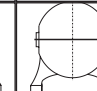
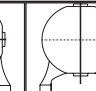
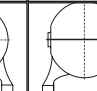
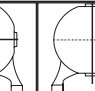
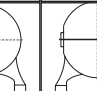
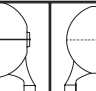
Type 1



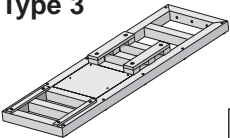
| | DW1 | | DW2 | | DW3 | | DW4 | | DW5 | |
|--|---|---|---|---|---|--|---|---|---|---|
| Ind-/udløbs position / In-/outlet position |  |  |  |  |  |  |  |  |  |  |
| Gear strl. / Gear size* | Del nr. / Part No. | | | | | | | | | |
| SK172 (320) | LAK2500100 | LAK3050100 | LAK3052200 | LAK3052200 | | | | | | |
| SK272 & 372 (420) | LAK2501100 | LAK3051100 | LAK3052200 | LAK3052200 | LAK3601300 | LAK3601300 | LAK3603400 | LAK3603400 | LAK4506500 | LAK4506500 |
| SK472 & 572 (620) | | | LAK3600200 | LAK3600200 | LAK3601300 | LAK3601300 | LAK4505400 | LAK4505400 | LAK4507500 | LAK4507500 |
| SK672 | | | | | LAK4501300 | LAK3602300 | LAK4505400 | LAK4505400 | LAK4507500 | LAK4507500 |
| SK772 | | | | | LAK4501300 | LAK4501300 | LAK4801400 | LAK4801400 | LAK5251500 | LAK5251500 |
| SK872 | | | | | LAK4503300 | LAK4503300 | LAK4804400 | LAK4803400 | LAK5251500 | LAK5251500 |
| SK972 | | | | | | | | | LAK7001500 | LAK7001500 |

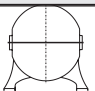
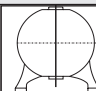
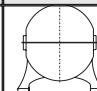
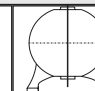
Type 2



| | DW1 | | DW2 | | DW3 | | DW4 | | DW5 | |
|--|---|---|---|---|---|--|---|---|---|---|
| Ind-/udløbs position / In-/outlet position |  |  |  |  |  |  |  |  |  |  |
| Gear strl. / Gear size* | Del nr. / Part No. | | | | | | | | | |
| SK172 (320) | LAK2500100 | LAK3050100 | LAK3052200 | LAK3052200 | | | | | | |
| SK272 & 372 (420) | LAK2501100 | LAK3051100 | LAK3052200 | LAK3052200 | LAK3601300 | LAK3601300 | LAK3603400 | LAK3603400 | LAK4508500 | LAK4508500 |
| SK472 & 572 (620) | | | LAK3600200 | LAK3600200 | LAK3601300 | LAK3601300 | LAK3603400 | LAK4505400 | LAK4509500 | LAK4509500 |
| SK672 | | | | | LAK4501300 | LAK3602300 | LAK3603400 | LAK4505400 | LAK4509500 | LAK4509500 |
| SK772 | | | | | LAK4501300 | LAK4501300 | LAK4802400 | LAK4801400 | LAK5251500 | LAK5251500 |
| SK872 | | | | | LAK4800300 | LAK4503300 | LAK4804400 | LAK4803400 | LAK5251500 | LAK5251500 |
| SK972 | | | | | | | | | LAK7001500 | LAK7001500 |

Type 3



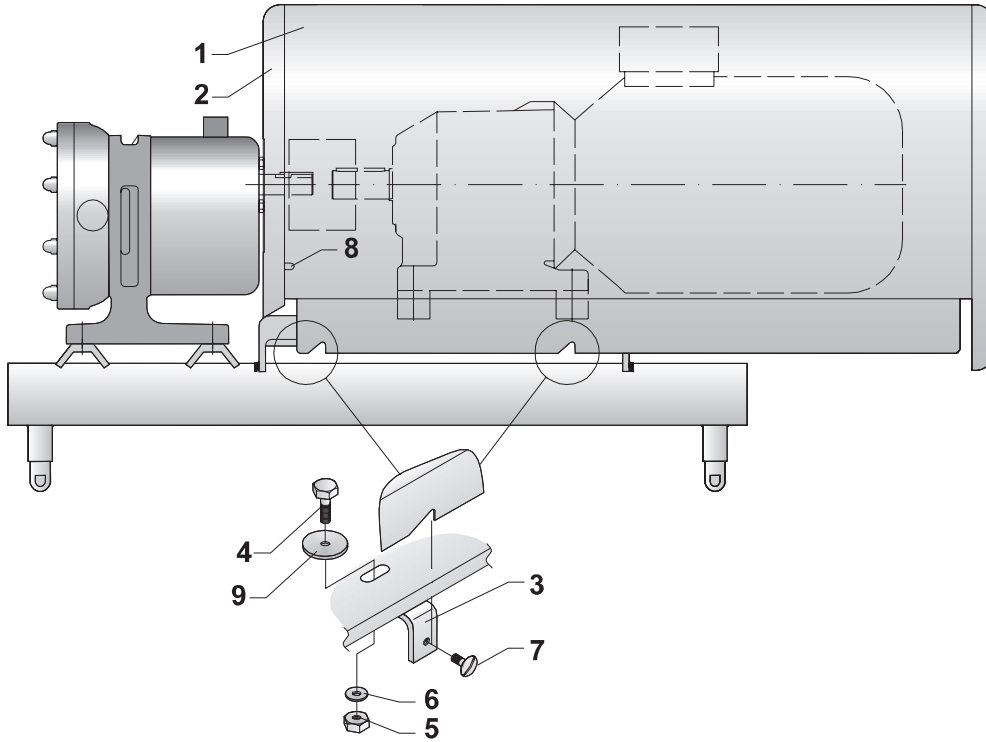
| | DW6 | | DW7 | |
|--|---|---|---|---|
| Ind-/udløbs position / In-/outlet position |  |  |  |  |
| Gear strl. / Gear size* | Del nr. / Part No. | | | |
| SK472 & 572 (620) | | | | |
| SK672 | | | | |
| SK772 | # | # | # | # |
| SK872 | | | | |
| SK972 | | | | |

* Gearmotorfabrikant / Gear motor maker: NORD

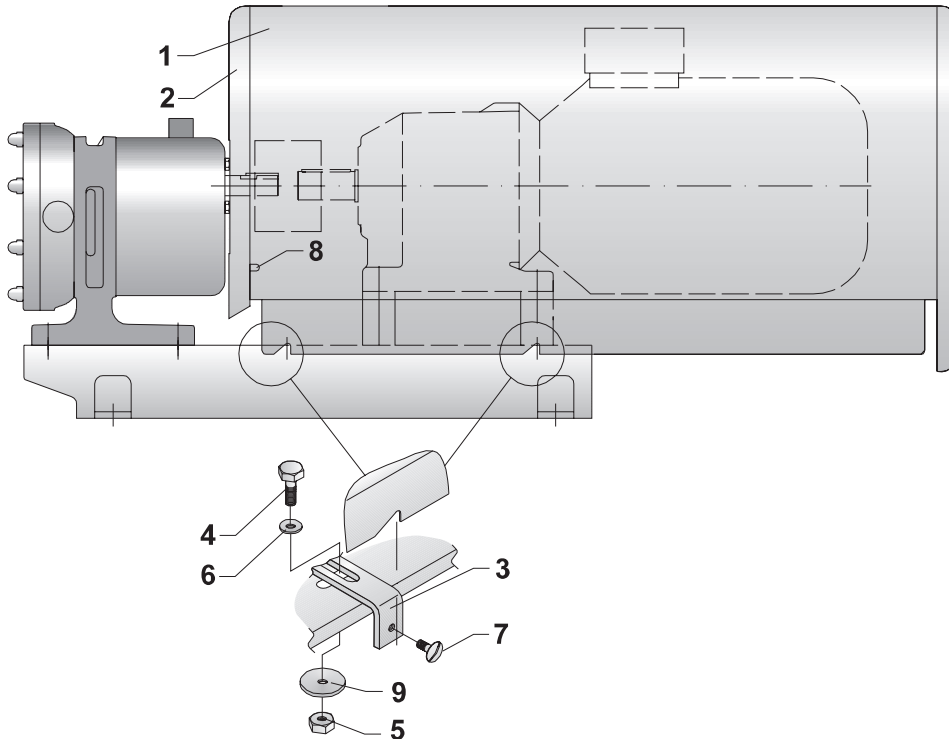
Kontakt APV for motorkapper til DW6 og DW7 / Contact APV for DW6 and DW7 shrouds

7. Motorkappe stykliste / Motorshroud spare parts

Type 1



Type 2



7. Motorkappe styklister / Motorshroud spare parts

| Pos. | Stk./Qty. | Benævnelse | Description | DW1 | | | | DW2 | |
|------|-----------|----------------|-----------------|--------------------|------------|------------|------------|------------|------------|
| | | | | Del nr. / Part No. | | | | | |
| 1-9 | 1 | Kappe komplet | Shroud complete | LAK2500100 | LAK2501100 | LAK3050100 | LAK3051100 | LAK3052200 | LAK3600200 |
| 1 | 1 | Kappe | Shroud | LA2775001 | LA2775001 | LA2775002 | LA2775002 | LA2775002 | LA2775004 |
| 2 | 1 | Dæksel | Cover | LA2776011 | LA2776011 | LA2776002 | LA2776002 | LA2776013 | LA2776003 |
| 3 | 1 | Beslag | Bracket | LA2770223 | LA2770223 | LA2770272 | LA2770272 | LA2770272 | LA2770321 |
| 1 | 2 | | | | | | | | LA2771321 |
| 4 | 2 | Skruer, beslag | Screws, bracket | L707608 | L707608 | L707608 | L707608 | L707608 | L707608 |
| 4 | 4 | | | | | | | | |
| 5 | 2 | Møtrik, beslag | Nut, bracket | L700240 | L700240 | L700240 | L700240 | L700240 | L700240 |
| 4 | 4 | | | | | | | | |
| 6 | 2 | Skive, beslag | Washer, bracket | L255550 | L255550 | L255550 | L255550 | L255550 | L255550 |
| 4 | 4 | | | | | | | | |
| 7 | 4 | Skruer, kappe | Screws, bracket | L700420 | L700420 | L700420 | L700420 | L700420 | L700420 |
| 8 | 2 | Skruer, kappe | Screws, bracket | L773113 | L773113 | L773113 | L773113 | L773113 | L773113 |
| 4 | 4 | | | | | | | | |
| 9 | 2 | Skive, beslag | Washer, bracket | L255550 | | L255550 | | L773464 | |

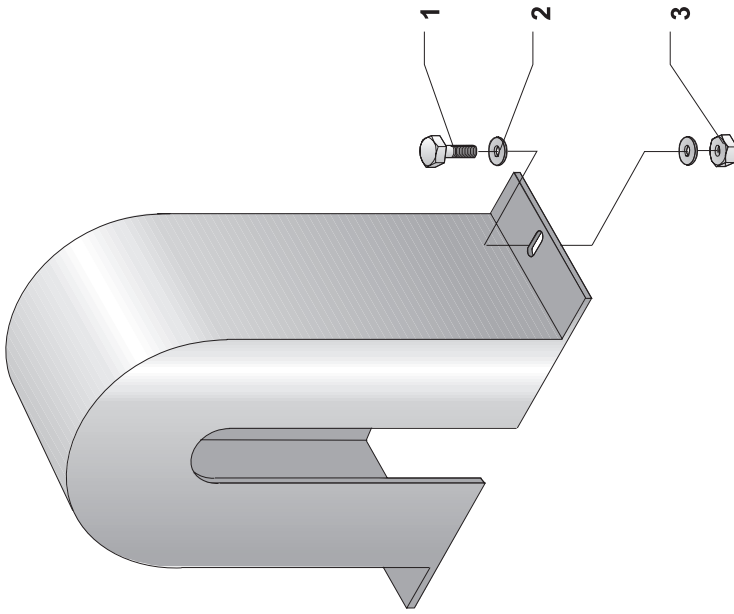
| Pos. | Stk./Qty. | Benævnelse | Description | DW3 | | | | DW4 | | | | | | |
|------|-----------|----------------|-----------------|--------------------|------------|------------|------------|------------|------------|------------|------------|------------|------------|------------|
| | | | | Del nr. / Part No. | | | | | | | | | | |
| 1-9 | 1 | Kappe komplet | Shroud complete | LAK3601300 | LAK3602300 | LAK4501300 | LAK4503300 | LAK4800300 | LAK3603400 | LAK4505400 | LAK4801400 | LAK4802400 | LAK4803400 | LAK4804400 |
| 1 | 1 | Kappe | Shroud | LA2775006 | LA2775011 | LA2775007 | LA2775007 | LA2775010 | LA2775011 | LA2775007 | LA2775009 | LA2775009 | LA2775009 | LA2775009 |
| 2 | 1 | Dæksel | Cover | LA2776003 | LA2776003 | LA2776001 | LA2776001 | LA2776007 | LA2776005 | LA2776006 | LA2776007 | LA2776007 | LA2776007 | LA2776007 |
| 3 | 1 | Beslag | Bracket | LA2771321 | LA2771321 | LA2771357 | LA2770357 | LA2770382 | LA2771382 | LA2772321 | LA2771357 | LA2771382 | LA2772382 | LA2770382 |
| 1 | 2 | | | | | | | | | | | | | |
| 4 | 2 | Skruer, beslag | Screws, bracket | L707608 | L707608 | L707608 | L707608 | L707608 | L707608 | L707608 | L707608 | L707608 | L707608 | L707608 |
| 4 | 4 | | | | | | | | | | | | | |
| 5 | 2 | Møtrik, beslag | Nut, bracket | L700240 | L700240 | L700240 | L700240 | L700240 | L700240 | L700240 | L700240 | L700240 | L700240 | L700240 |
| 4 | 4 | | | | | | | | | | | | | |
| 6 | 2 | Skive, beslag | Washer, bracket | L255550 | L255550 | L255550 | L255550 | L255550 | L255550 | L255550 | L255550 | L255550 | L255550 | L255550 |
| 4 | 4 | | | | | | | | | | | | | |
| 7 | 4 | Skruer, kappe | Screws, bracket | L700420 | L700420 | L700420 | L700420 | L700420 | L700420 | L700420 | L700420 | L700420 | L700420 | L700420 |
| 8 | 2 | Skruer, kappe | Screws, bracket | L773113 | L773113 | L773113 | L773113 | L773113 | L773113 | L773113 | L773113 | L773113 | L773113 | L773113 |
| 4 | 4 | | | | | | | | | | | | | |
| 9 | 2 | Skive, beslag | Washer, bracket | L773464 | L773464 | L773464 | | | L773464 | L773464 | L773464 | L773464 | L773464 | L773464 |
| 8 | 8 | | | | | | | | | | | | | |

| Pos. | Stk./Qty. | Benævnelse | Description | DW5 | | | | DW6* | | DW7* | |
|------|-----------|----------------|-----------------|--------------------|------------|------------|------------|------------|------------|-----------|-----------|
| | | | | Del nr. / Part No. | | | | | | | |
| 1-9 | 1 | Kappe komplet | Shroud complete | LAK4506500 | LAK4507500 | LAK4508500 | LAK4509500 | LAK5251500 | LAK7001500 | | |
| 1 | 1 | Kappe | Shroud | LA2775012 | LA2775007 | LA2775012 | LA2775007 | LA2775013 | LA2775014 | | |
| 2 | 1 | Dæksel | Cover | LA2776008 | LA2776008 | LA2776008 | LA2776008 | LA2776009 | LA2776010 | | |
| 3 | 1 | Beslag | Bracket | LA2771357 | LA2771357 | LA2771357 | LA2771357 | LA2771357 | LA2771357 | LA2771421 | LA2771509 |
| 1 | 2 | | | | | | | | | | |
| 4 | 2 | Skruer, beslag | Screws, bracket | L700678 | L700678 | L700678 | L700678 | L700678 | L700678 | L700678 | L700678 |
| 2 | 2 | | | | | | | | | | |
| 5 | 2 | Møtrik, beslag | Nut, bracket | L701670 | L701670 | L701670 | L701670 | L701670 | L701670 | L701670 | L700240 |
| 4 | 4 | | | | | | | | | | |
| 6 | 2 | Skive, beslag | Washer, bracket | L773488 | L773488 | L773488 | L773488 | L773488 | L773488 | L255550 | L255550 |
| 4 | 4 | | | | | | | | | | |
| 7 | 4 | Skruer, kappe | Screws, bracket | L700420 | L700420 | L700420 | L700420 | L700420 | L700420 | L700420 | L700420 |
| 8 | 4 | Skruer, kappe | Screws, bracket | L773113 | L773113 | L773113 | L773113 | L773113 | L773113 | L773113 | L773113 |

* Kontakt APV for motorkapper til DW6 og DW7 / Contact APV for DW6 and DW7 shrouds

7. Koblingskappe / Coupling Guard

DW1-5

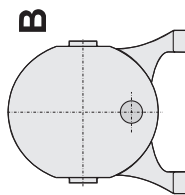


| Pos | Benævneelse Description | Stk Qty | DW1 | DW2 | DW3 | DW4 | DW5 | DW6 | DW7 |
|-----|----------------------------|------------|---------|---------|---------|---------|---------|------------|-----|
| 1 | Skrue/Screw | 2 | L705856 | L705856 | L705856 | L705856 | L705856 | *L700233 | |
| 2 | Skive/Washer | 4 | L701477 | L701477 | L701477 | L701477 | L701477 | **L701478 | # |
| 3 | Møtrik/Nut | 2 | L700240 | L700240 | L700240 | L700240 | L700240 | ***L700241 | |

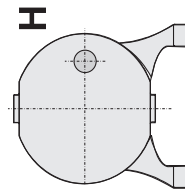
* 4 stk. skruer / 4 off screws

** 8 stk. skiver / 8 off washers

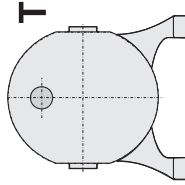
*** 4 stk. møtrikker / 4 off nuts



Aksel monteret i Bund /
Shaft mounted in Bottom

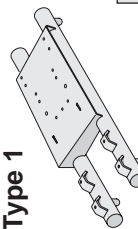


Aksel monteret til Højre /
Shaft mounted Horizontal (Right)



Aksel monteret i Top /
Shaft mounted in Top

Type 1

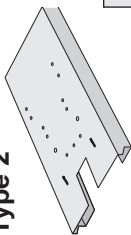


| Ind-/udløbs position / In-/outlet position | DW1 | | DW2 | | DW3 | | DW4 | | DW5 | | Del nr. / Part No. |
|---|-----------|-----------|-----------|-----------|-----------|-----------|-----------|-----------|-----------|-----------|--------------------|
| | B | H | B | T | B | T | B | T | B | T | |
| Gear str. / Gear size* | LA2780101 | LA2780101 | LA2780201 | LA2780201 | LA2780301 | LA2780301 | LA2780410 | LA2780410 | LA2780520 | LA2780520 | LA2780521 |
| SK172 (320) | LA2780102 | LA2780102 | LA2780206 | LA2780206 | LA2780307 | LA2780307 | LA2780412 | LA2780412 | LA2780522 | LA2780522 | LA2780523 |
| SK272 & 372 (420) | | | LA2780205 | LA2780207 | LA2780308 | LA2780303 | LA2780415 | LA2780415 | LA2780524 | LA2780524 | LA2780525 |
| SK472 & 572 (620) | | | | | LA2780310 | LA2780305 | LA2780416 | LA2780417 | LA2780532 | LA2780532 | LA2780527 |
| SK672 | | | | | LA2780309 | LA2780313 | LA2780418 | LA2780419 | LA2780528 | LA2780528 | LA2780529 |
| SK772 | | | | | | | | | LA2780530 | LA2780530 | LA2780531 |
| SK872 | | | | | | | | | | | |
| SK972 | | | | | | | | | | | |

7. Koblingskappe / Coupling Guard

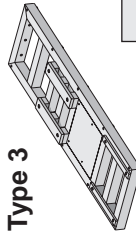
DW1-7

Type 2



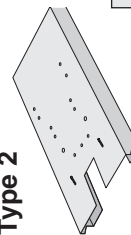
| Ind-/udløbs position / In-/outlet position | DW1 | | DW2 | | DW3 | | DW4 | | DW5 | |
|--|-----------|-----------|-----------|-----------|-----------|-----------|-----------|-----------|-----------|-----------|
| | B | H | B | H | B | H | B | H | B | H |
| Gear str. / Gear size* | LA2780101 | LA2780101 | LA2780202 | LA2780203 | LA2780306 | LA2780306 | LA2780410 | LA2780413 | LA2780520 | LA2780521 |
| SK272 & 372 (420) | LA2780102 | LA2780102 | LA2780206 | LA2780204 | LA2780307 | LA2780307 | LA2780411 | LA2780412 | LA2780522 | LA2780523 |
| SK472 & 572 (620) | | | LA2780207 | LA2780205 | LA2780304 | LA2780308 | LA2780414 | LA2780415 | LA2780524 | LA2780525 |
| SK672 | | | | | LA2780311 | LA2780310 | LA2780416 | LA2780417 | LA2780526 | LA2780527 |
| SK772 | | | | | LA2780312 | LA2780313 | LA2780418 | LA2780419 | LA2780529 | LA2780529 |
| SK872 | | | | | | | | | LA2780530 | LA2780531 |
| SK972 | | | | | | | | | | |

Type 3



| Ind-/udløbs position / In-/outlet position | DW6 | | DW7 | |
|--|------------|------------|------------|------------|
| | B | H | B | H |
| Gear str. / Gear size* | # | # | # | # |
| SK472 & 572 (620) | LA27806772 | LA27806872 | LA27806621 | LA27806621 |
| SK772 | LA27806872 | LA27806872 | LA2780662 | LA2780662 |
| SK872 | LA27806972 | LA27806972 | LA2780662 | LA2780662 |
| SK52 | # | # | LA2780662 | LA2780662 |
| SK62 max. 37 kW | | | LA2780662 | LA2780662 |
| SK62 min. 45 kW | | | LA2780662 | LA2780662 |
| SK72 | | | LA2780662 | LA2780662 |
| SK82 | | | LA2780662 | LA2780662 |
| SK92 | | | LA2780692 | LA2780692 |
| SK102 | | | # | # |

Type 2

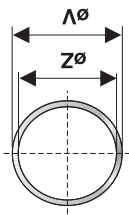


| Ind-/udløbs position / In-/outlet position | DW6 max. 11 kW | |
|--|----------------|-------------|
| | B | H |
| Gear str. / Gear size* | # | # |
| SK472 & 572 (620) | LA2780672 | LA27806721 |
| SK672 | LA27806721 | LA278068721 |
| SK772 | | |
| SK872 | | |

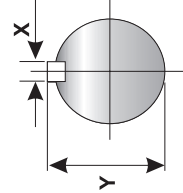
* Gearmotorfabrikant / Gear motor maker: NORD

Kontakt APV for koblingskapper til DW6 og DW7 / Contact APV for DW6 and DW7 coupling guards

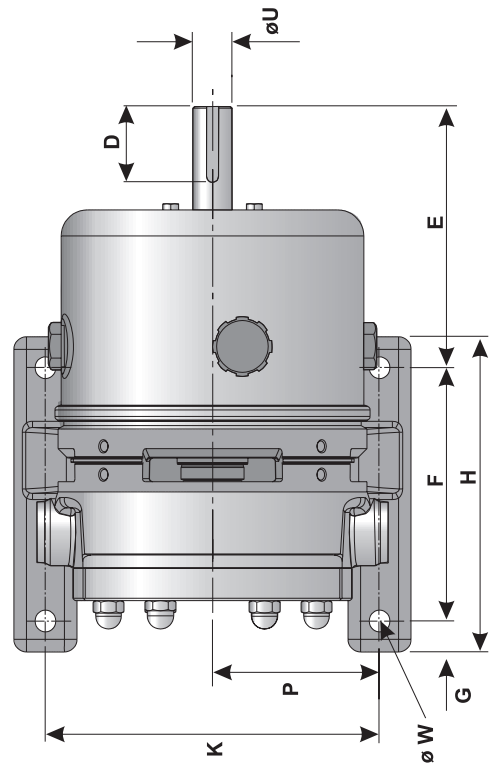
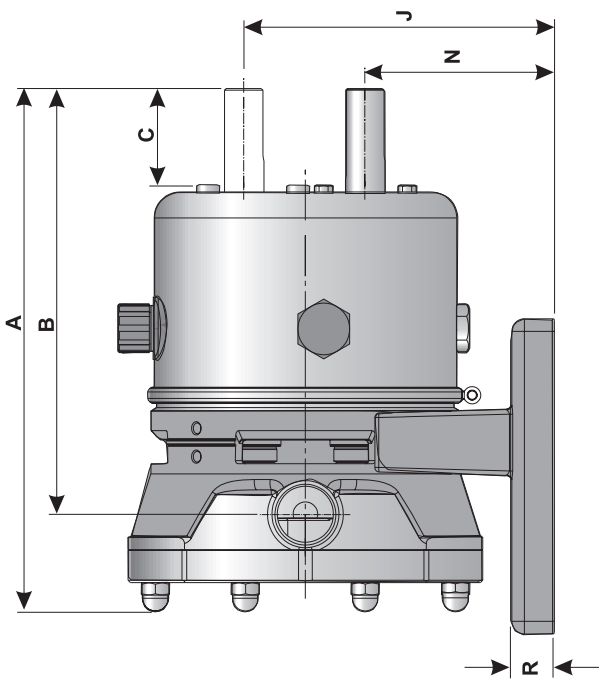
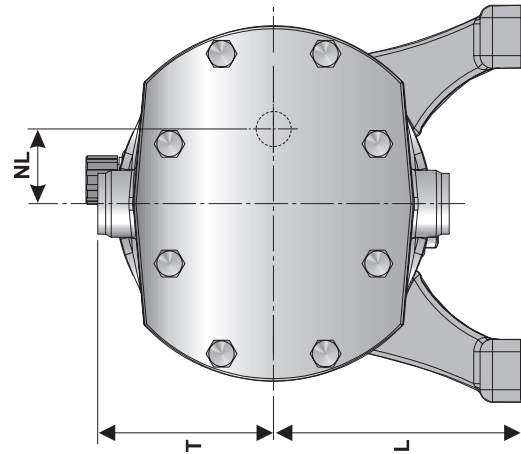
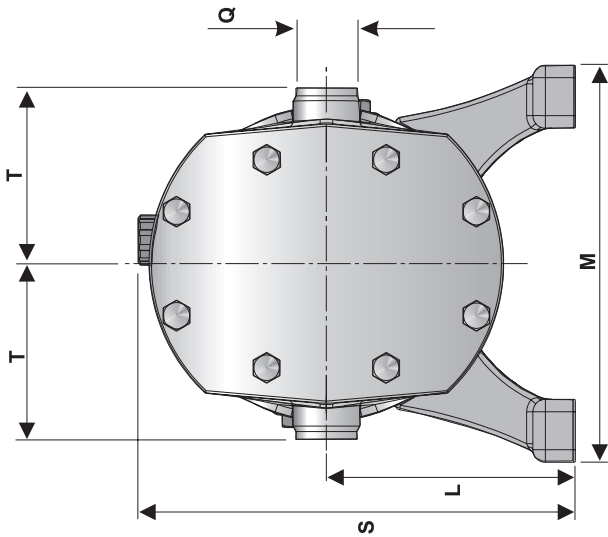
7. Pumpens mål / Pump dimensions



Inlet / Outlet detail Q
Indløb / Udløb detalje C



Keyway details
Drivfeder detalje

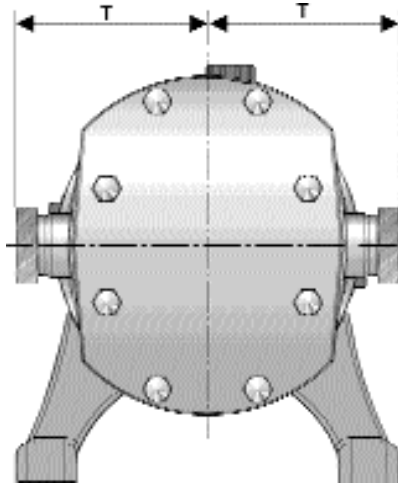


7. Pumpens mål / Pump dimensions

| Pump model | A | B | C | D | E | F | G | H | J | K | L | M | N | NL | P | Q | R | S | T | U | X | Y | Z | V | Netto vægt (kg) Nett weight (kg) | Olie kapacitet (liter) Oil capacity (litres) | |
|------------|------|-------|-----|-----|-----|-----|------|-----|-----|-----|-----|-----|-----|-----|-----|---------|----|-----|-------|-----|------|----|------|-------|-------------------------------------|---|------|
| DW1/003/- | 260 | 217.2 | 40 | 38 | 109 | 121 | 12.5 | 146 | 150 | 166 | 122 | 193 | 94 | 28 | 83 | DN15 | 19 | 218 | 86 | ø18 | ø8.5 | 6 | 20.5 | 16.0 | 19.0 | 17 | 0.8 |
| DW1/004/- | 260 | 217.2 | 40 | 38 | 109 | 121 | 12.5 | 146 | 150 | 166 | 122 | 193 | 94 | 28 | 83 | DN15 | 19 | 218 | 86 | ø18 | ø8.5 | 6 | 20.5 | 16.0 | 19.0 | 17 | 0.8 |
| DW1/007/- | 268 | 222.5 | 40 | 38 | 109 | 121 | 12.5 | 146 | 150 | 166 | 122 | 193 | 94 | 28 | 83 | 1" | 19 | 218 | 86 | ø18 | ø8.5 | 6 | 20.5 | 22.6 | 25.6 | 18 | 0.8 |
| DW2/006/- | 297 | 248 | 50 | 36 | 120 | 142 | 17 | 176 | 178 | 194 | 145 | 228 | 112 | 33 | 97 | 1" | 20 | 252 | 98 | ø22 | ø12 | 6 | 24.5 | 22.6 | 25.6 | 25.5 | 1.3 |
| DW2/007/- | 297 | 248 | 50 | 36 | 120 | 142 | 17 | 176 | 178 | 194 | 145 | 228 | 112 | 33 | 97 | 1" | 20 | 252 | 98 | ø22 | ø12 | 6 | 24.5 | 22.6 | 25.6 | 25.5 | 1.3 |
| DW2/013/- | 307 | 252 | 50 | 36 | 120 | 142 | 17 | 176 | 178 | 194 | 145 | 228 | 112 | 33 | 97 | 1½" | 20 | 252 | 98 | ø22 | ø12 | 6 | 24.5 | 35.6 | 38.6 | 27 | 1.3 |
| DW3/014/- | 332 | 271 | 60 | 40 | 123 | 160 | 20 | 200 | 196 | 212 | 158 | 252 | 120 | 38 | 106 | 1½" | 24 | 273 | 112 | ø25 | ø13 | 8 | 28 | 35.6 | 38.6 | 34 | 1.4 |
| DW3/017/- | 332 | 271 | 60 | 40 | 123 | 160 | 20 | 200 | 196 | 212 | 158 | 252 | 120 | 38 | 106 | 1½" | 24 | 273 | 112 | ø25 | ø13 | 8 | 28 | 35.6 | 38.6 | 34 | 1.4 |
| DW3/030/- | 348 | 280 | 60 | 40 | 123 | 160 | 20 | 200 | 196 | 212 | 158 | 252 | 120 | 38 | 106 | 2" | 24 | 273 | 112 | ø25 | ø13 | 8 | 28 | 48.6 | 51.6 | 40 | 1.4 |
| DW3/050/- | 372 | 304 | 60 | 40 | 123 | 160 | 20 | 200 | 196 | 212 | 158 | 252 | 120 | 38 | 106 | 2" | 24 | 273 | 112 | ø25 | ø13 | 8 | 28 | 48.6 | 51.6 | 45 | 1.4 |
| DW4/033/- | 423 | 352 | 80 | 45 | 162 | 205 | 20 | 245 | 238 | 260 | 190 | 300 | 142 | 48 | 130 | 2" | 24 | 328 | 130 | ø35 | ø14 | 10 | 38 | 48.6 | 51.6 | 64 | 3.0 |
| DW4/039/- | 423 | 352 | 80 | 45 | 162 | 205 | 20 | 245 | 238 | 260 | 190 | 300 | 142 | 48 | 130 | 2" | 24 | 328 | 130 | ø35 | ø14 | 10 | 38 | 48.6 | 51.6 | 64 | 3.0 |
| DW4/073/- | 449 | 365 | 80 | 45 | 162 | 205 | 20 | 245 | 238 | 260 | 190 | 300 | 142 | 48 | 130 | 3" | 24 | 328 | 130 | ø35 | ø14 | 10 | 38 | 72.9 | 76.7 | 72 | 3.0 |
| DW4/125/- | 489 | 399 | 80 | 45 | 162 | 205 | 20 | 245 | 238 | 260 | 190 | 300 | 142 | 48 | 130 | 3" | 24 | 328 | 130 | ø35 | ø14 | 10 | 38 | 72.9 | 76.7 | 85 | 3.0 |
| DW5/080/- | 565 | 479 | 106 | 71 | 232 | 262 | 25 | 312 | 303 | 326 | 240 | 370 | 177 | 63 | 163 | 2½" | 33 | 434 | 165 | ø42 | ø17 | 12 | 45 | 60.3 | 64.1 | 151 | 7.0 |
| DW5/093/- | 565 | 479 | 106 | 71 | 232 | 262 | 25 | 312 | 303 | 326 | 240 | 370 | 177 | 63 | 163 | 2½" | 33 | 434 | 165 | ø42 | ø17 | 12 | 45 | 60.3 | 64.1 | 151 | 7.0 |
| DW5/142/- | 586 | 495 | 106 | 71 | 232 | 262 | 25 | 312 | 303 | 326 | 240 | 370 | 177 | 63 | 163 | 3" | 33 | 434 | 165 | ø42 | ø17 | 12 | 45 | 72.9 | 76.7 | 153 | 7.0 |
| DW5/256/- | 636 | 520 | 106 | 71 | 232 | 262 | 25 | 312 | 303 | 326 | 240 | 370 | 177 | 63 | 163 | (DN125) | 33 | 434 | 165 | ø42 | ø17 | 12 | 45 | 123.0 | 127.0 | 172 | 7.0 |
| DW6/172/- | 804 | 692 | 98 | 90 | 351 | 420 | 40 | 500 | 376 | 491 | 293 | 541 | 208 | 85 | 245 | 3" | 49 | 528 | 218 | ø50 | ø24 | 14 | 54 | 72.9 | 76.7 | 370 | 25.0 |
| DW6/198/- | 804 | 692 | 98 | 90 | 351 | 420 | 40 | 500 | 376 | 491 | 293 | 541 | 208 | 85 | 245 | 3" | 49 | 528 | 218 | ø50 | ø24 | 14 | 54 | 72.9 | 76.7 | 370 | 25.0 |
| DW6/308/- | 830 | 706 | 98 | 90 | 351 | 420 | 40 | 500 | 376 | 491 | 293 | 541 | 208 | 85 | 245 | 4" | 49 | 528 | 218 | ø50 | ø24 | 14 | 54 | 97.6 | 102.5 | 390 | 25.0 |
| DW6/519/- | 881 | 732 | 98 | 90 | 351 | 420 | 40 | 500 | 376 | 491 | 293 | 541 | 208 | 85 | 245 | DN150 | 49 | 528 | 215 | ø50 | ø24 | 14 | 54 | 150 | 157 | 460 | 25.0 |
| DW7/370/- | 1017 | 884 | 151 | 150 | 461 | 500 | 50 | 600 | 449 | 584 | 349 | 644 | 250 | 100 | 292 | 4" | 59 | 627 | 258 | ø65 | ø24 | 18 | 69 | 97.6 | 102.5 | 590 | 40.0 |
| DW7/420/- | 1017 | 884 | 151 | 150 | 461 | 500 | 50 | 600 | 449 | 584 | 349 | 644 | 250 | 100 | 292 | 4" | 59 | 627 | 258 | ø65 | ø24 | 18 | 69 | 97.6 | 102.5 | 590 | 40.0 |
| DW7/725/- | 1069 | 913 | 151 | 150 | 461 | 500 | 50 | 600 | 449 | 584 | 349 | 644 | 250 | 100 | 292 | DN150 | 59 | 627 | 258 | ø65 | ø24 | 18 | 69 | 150 | 157 | 700 | 40.0 |
| DW7/1016/- | 1119 | 937 | 151 | 150 | 461 | 500 | 50 | 600 | 449 | 584 | 349 | 644 | 250 | 100 | 292 | DN200 | 59 | 627 | 254.5 | ø65 | ø24 | 18 | 69 | 200 | 215 | 750 | 40.0 |

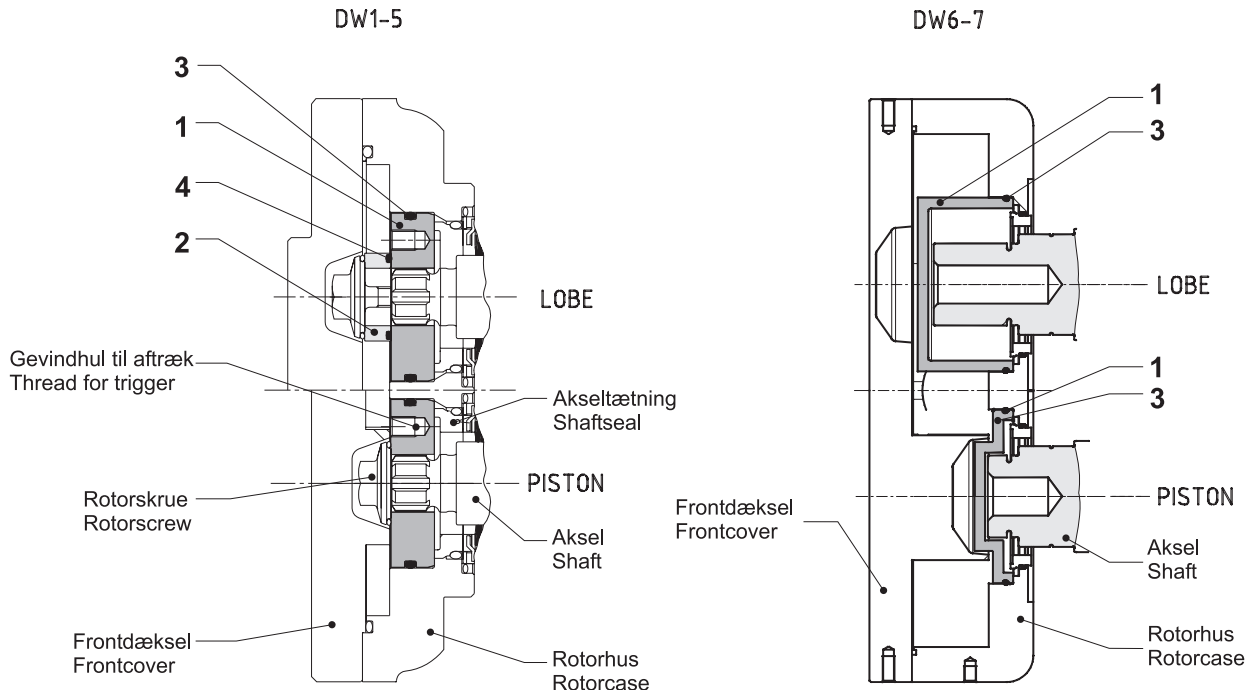
NOTE: Se næste side: Pumpens mål med fittings
See next page: Pump dimensions with fittings

7. Pumpens mål med fittings / Pump dimensions with fittings



| Pumpe | T | | | | | | | | |
|------------|-------------------|-------------------|--------------|---------------------|----------------|----------------|------------------|--------------|---------------|
| | CLAMP | | | NIPLER / MALE PARTS | | | | | |
| | BS 4825 part 3 | ISO 2852 | DIN 32676 | ISO 2853 | BS 4825 part 4 | SMS ("1145") | BS 4825 part 5 | DIN 11851 | DS 722 |
| | 1" TRI | 1" ISO | DN25 | 1" ISO | 1" IDF | 1" SMS | 1" RJT | DN25 | 1" DS |
| DW1/003/- | 107.5 | 107.5 | 107.5 | 107.5 | 107.5 | 101 | 112.3 | 115 | 106 |
| DW1/004/- | 107.5 | 107.5 | 107.5 | 107.5 | 107.5 | 101 | 112.3 | 115 | 106 |
| DW1/007/- | 107.5 | 107.5 | 107.5 | 107.5 | 107.5 | 101 | 112.3 | 115 | 104.5 |
| DW2/006/- | 119.5 | 119.5 | 119.5 | 119.5 | 119.5 | 113 | 124.3 | 127 | 116.5 |
| DW2/007/- | 119.5 | 119.5 | 119.5 | 119.5 | 119.5 | 113 | 124.3 | 127 | 116.5 |
| | 1½" TRI | 1½" ISO | DN40 | 1½" ISO | 1½" IDF | 1½" SMS | 1½" RJT | DN40 | 1½" DS |
| DW2/013/- | 119.5 | 119.5 | 119.5 | 119.5 | 119.5 | 118 | 124.3 | 131 | 126 |
| DW3/014/- | 133.5 | 133.5 | 133.5 | 133.5 | 133.5 | 132 | 138.3 | 145 | 130 |
| DW3/017/- | 133.5 | 133.5 | 133.5 | 133.5 | 133.5 | 132 | 138.3 | 145 | 130 |
| | 2" TRI | 2" ISO | DN50 | 2" ISO | 2" IDF | 2" SMS | 2" RJT | DN50 | 2" DS |
| DW3/030/- | 133.5 | 133.5 | 133.5 | 133.5 | 133.5 | 132 | 138.3 | 147 | 132 |
| DW3/050/- | 133.5 | 133.5 | 133.5 | 133.5 | 133.5 | 132 | 138.3 | 147 | 132 |
| DW4/033/- | 151.5 | 151.5 | 151.5 | 151.5 | 151.5 | 150 | 156.3 | 165 | 150 |
| DW4/039/- | 151.5 | 151.5 | 151.5 | 151.5 | 151.5 | 150 | 156.3 | 165 | 150 |
| | 2½" TRI | 2½" ISO | DN65 | 2½" ISO | 2½" IDF | 2½" SMS | 2½" RJT | DN65 | 2½" DS |
| DW5/080/- | 186.5 | 186.5 | 193 | 186.5 | 186.5 | 190 | 191.3 | 205 | 189 |
| DW5/093/- | 186.5 | 186.5 | 193 | 186.5 | 186.5 | 190 | 191.3 | 205 | 189 |
| | 3" TRI | 3" ISO | DN80 | 3" ISO | 3" IDF | 3" SMS | 3" RJT | DN80 | 3" DS |
| DW4/073/- | 151.5 | 151.5 | 158 | 151.5 | 151.5 | 155 | 156.3 | 175 | 154 |
| DW4/125/- | 151.5 | 151.5 | 158 | 151.5 | 151.5 | 155 | 156.3 | 175 | 154 |
| DW5/142/- | 186.5 | 186.5 | 193 | 186.5 | 186.5 | 190 | 191.3 | 210 | 189 |
| DW6/172/- | 239.5 | 239.5 | 246 | 239.5 | 239.5 | 243 | 244.3 | 263 | 242 |
| DW6/198/- | 239.5 | 239.5 | 246 | 239.5 | 239.5 | 243 | 244.3 | 263 | 242 |
| | 4" TRI | 4" ISO | DN100 | 4" ISO | 4" IDF | 4" SMS | 4" RJT | DN100 | 4" DS |
| DW6/308/- | 239.5 | 239.5 | 246 | 239.5 | 248 | 253 | 244.3 | 272 | 242 |
| DW7/370/- | 279.5 | 279.5 | 286 | 279.5 | 288 | 293 | 284.3 | 312 | 282 |
| DW7/420/- | 279.5 | 279.5 | 286 | 279.5 | 288 | 293 | 284.3 | 312 | 282 |
| | 5½" TRI | 5½" ISO | | | | | | DN125 | |
| DW5/256/- | 193 | 193 | | | | | | 211 | |
| | DN150 TRI | DN150 ISO | DN150 | | | | DN150 RJT | DN150 | |
| DW6/519/- | 243 | 243 | 243 | | | | 255 | 265 | |
| DW7/725/- | 286 | 286 | 286 | | | | 298 | 308 | |
| | 8 5/8" TRI | 8 5/8" ISO | | | | | | | |
| DW7/1016/- | 282.5 | 282.5 | | | | | | | |

7. Montagesæt for pumpe gennemskyl / Fittingtools for pump flushing

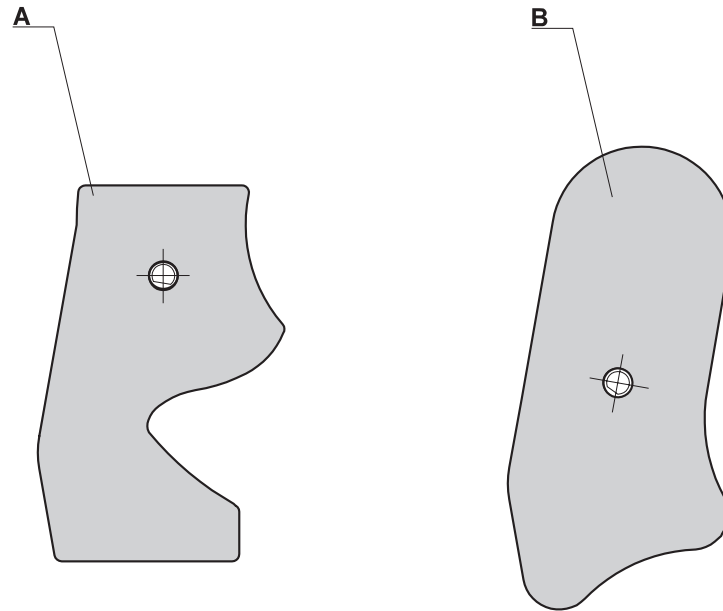


| | | | | | | Del nr. / Part No. | | | | | |
|-----|---------|----------|--------------------|---------------------|--|--------------------|------------------|------------------|------------------|------------------|------------------|
| | | | | | | Piston | Lobe | Lobe | Piston | Lobe | Lobe |
| Pos | Stk/Qty | Material | Benævnelse | Description | | DW1/003/- | DW1/004/- | DW1/007/- | DW2/006/- | DW2/007/- | DW2/013/- |
| 1-4 | - | - | Komplet kit | Complete kit | | LA2370100 | LA2370101 | LA2370103 | LA2370200 | LA2370201 | LA2370203 |
| 1 | 2 | Plastic | Prop | Plug | | L2200100 | LA2200100 | LA2200100 | LA2200200 | LA2200200 | LA2200200 |
| 2 | 2 | Plastic | Afstandsstykke | Spacer | | | LA1852100 | LA1852101 | | LA1852200 | LA1852201 |
| 3 | 2 | EPDM | O-ring | O-ring | | L25060204 | L25060204 | L25060204 | L25042004 | L25042004 | L25042004 |
| 4 | 2 | EPDM | O-ring | O-ring | | | L2511004 | L2511004 | | L2511004 | 2511004 |
| | | | | | | DW3/014/- | DW3/017/- | DW3/030/- | DW4/033/- | DW4/039/- | DW4/073/- |
| 1-4 | - | - | Komplet kit | Complete kit | | LA2370300 | LA2370301 | LA2370303 | LA2370400 | LA2370401 | LA2370403 |
| 1 | 2 | Plastic | Prop | Plug | | LA2200300 | LA2200300 | LA2200300 | LA2200400 | LA2200400 | LA2200400 |
| 2 | 2 | Plastic | Afstandsstykke | Spacer | | | LA1852300 | LA1852301 | | LA1852400 | LA1852401 |
| 3 | 2 | EPDM | O-ring | O-ring | | L25061004 | L25061004 | L25061004 | L25045004 | L25045004 | L25045004 |
| 4 | 2 | EPDM | O-ring | O-ring | | | L25029004 | L25029004 | | L25029004 | L25029004 |

| | | | | | | Lobe | Lobe | Piston | Lobe | Lobe | Lobe |
|-----|---------|----------|--------------------|---------------------|--|------------------|------------------|------------------|------------------|------------------|------------------|
| Pos | Stk/Qty | Material | Benævnelse | Description | | DW3/050/- | DW4/125/- | DW5/080/- | DW5/093/- | DW5/142/- | DW5/256/- |
| 1-4 | - | - | Komplet kit | Complete kit | | LA2370313 | LA2370413 | LA2370500 | LA2370501 | LA2370505 | LA2370503 |
| 1 | 2 | Plastic | Prop | Plug | | LA2200300 | LA2200400 | LA2200500 | LA2200500 | LA2200500 | LA2200500 |
| 2 | 2 | Plastic | Afstandsstykke | Spacer | | | LA1852302 | LA1852402 | | LA1852500 | LA1852502 |
| 3 | 2 | EPDM | O-ring | O-ring | | L25061004 | L25045004 | L25062004 | L25062004 | L25062004 | L25062004 |
| 4 | 2 | EPDM | O-ring | O-ring | | L25029004 | L25029004 | | L25034004 | L25034004 | L25034004 |

| | | | | | | Piston | Lobe | Lobe | Lobe |
|-----|---------|------------------------|--------------------|---------------------|--|------------------|------------------|------------------|------------------|
| Pos | Stk/Qty | Material | Benævnelse | Description | | DW6/172/- | DW6/198/- | DW6/308/- | DW6/519/- |
| 1-4 | - | - | Komplet kit | Complete kit | | LA2370600 | LA2370601 | LA2370601 | LA2370601 |
| 1 | 2 | Plastic | Prop | Plug | | LA1857601 | LA1857600 | LA1857600 | LA1857600 |
| 3 | 2 | EPDM | O-ring | O-ring | | L2580004 | L25069004 | L25069004 | L25069004 |
| | | | | | | DW7/370/- | DW7/420/- | DW7/725/- | DW7/1016/- |
| 1-4 | - | - | Komplet kit | Complete kit | | LA2370700 | LA2370701 | LA2370701 | LA2370701 |
| 1 | 2 | Plastic | Prop | Plug | | LA1857701 | LA1857700 | LA1857700 | LA1857700 |
| 3 | 2 | Nitril/ FPM (Viton) | O-ring | O-ring | | L771577 | L25030002 | L25030002 | L25030002 |

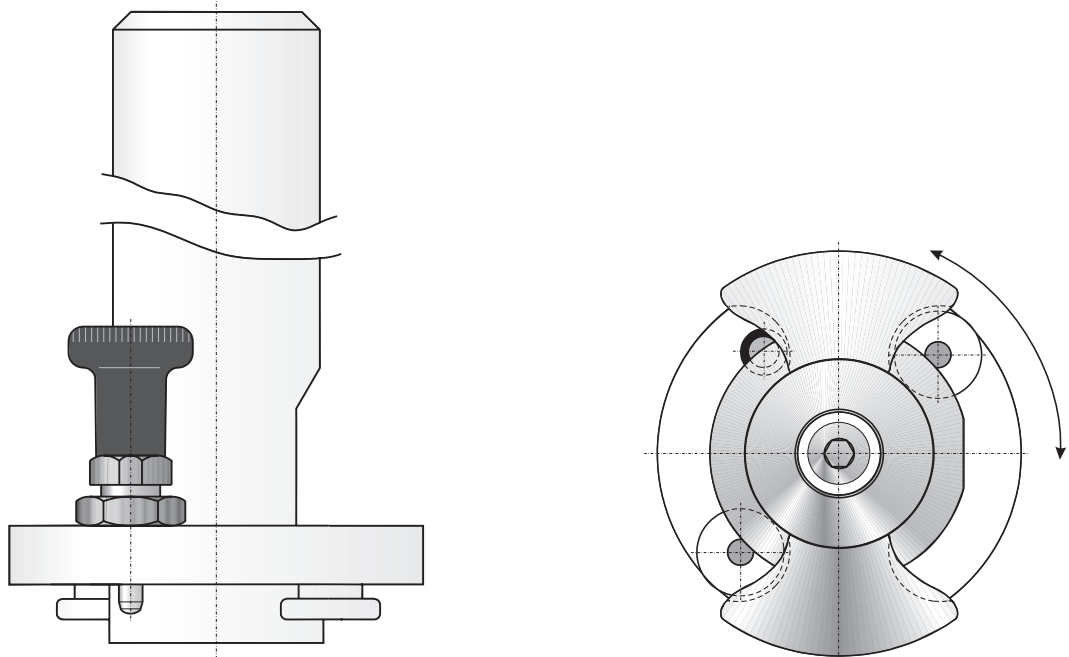
7. Låseværktøj / Locking tool



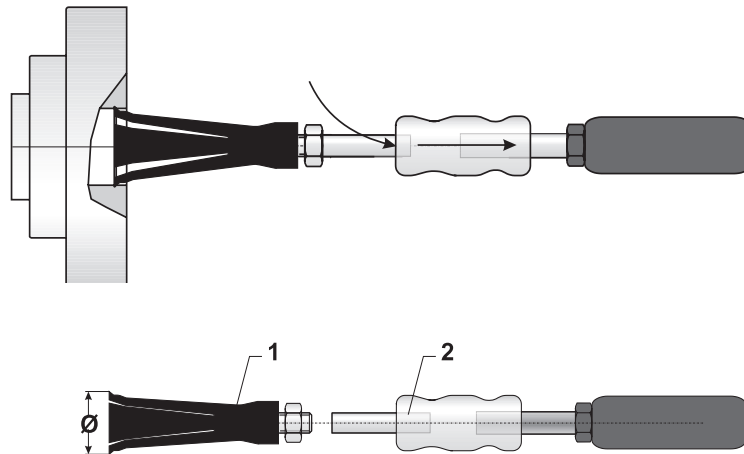
| Qty. | Material | Benævnelse | Description | Pumpe type / Pump type | | | | |
|------|----------|-------------------------------|-------------------------|------------------------|----------|----------|----------|-----------------|
| | | | | DW1 | DW2 | DW3 | DW4 | DW5, DW6 og DW7 |
| 1 | Plastic | Drejestempel låse værktøj (A) | Piston locking tool (A) | LAFT0001 | LAFT0002 | LAFT0003 | LAFT0004 | LAFT0005 |
| 1 | Plastic | Lobe låse værktøj (B) | Lobe locking tool (B) | LAFT0011 | LAFT0012 | LAFT0013 | LAFT0014 | LAFT0015 |

7. Aftrækker værktøj / Removal tool

DW1-7



| Pos. | Qty. | Benævnelse | Description | Pumpe type / Pump type | | | | | | |
|------|------|------------------|----------------|------------------------|----------|----------|----------|----------|-----|-----|
| | | | | DW1 | DW2 | DW3 | DW4 | DW5 | DW6 | DW7 |
| - | 1 | Piston aftrækker | Piston removal | LAFT0041 | LAFT0042 | LAFT0043 | LAFT0044 | LAFT0045 | # | # |



| Pos. | Qty. | Benævnelse | Description | Pumpe type / Pump type | | | | | | |
|------|------|----------------|---------------|------------------------|---------|---------|---------|---------|-----|-----|
| | | | | DW1 | DW2 | DW3 | DW4 | DW5 | DW6 | DW7 |
| 1 | 1 | Lobe aftrækker | Lobe removal | Ø 17 | Ø 22.5 | Ø 27.5 | Ø 37 | Ø 48 | | |
| 2 | 1 | Slagaftrækker | Impact hammer | L773507 | L773507 | L773507 | L773507 | L773507 | # | # |

Kontakt APV for aftrækkerværktøj til DW6 og DW7 / Contact APV for DW6 and DW7 removal tool



Your local contact:



APV, An SPX Brand,
Platinvej 8
6000 Kolding, Denmark
Phone: +45 70 278 444 Fax: +45 70 278 445

For more information about our worldwide locations, approvals, certifications, and local representatives, please visit www.apv.com.

SPX reserves the right to incorporate our latest design and material changes without notice or obligation. Design features, materials of construction and dimensional data, as described in this bulletin, are provided for your information only and should not be relied upon unless confirmed in writing. Certified drawings are available upon request.