



Instruction Manual DW Rectangular Inlet Accessories Manual 8.4



Read and understand this manual prior to operating or servicing this product.



Indhold / Contents:

Dette er en tillægsmanual, der kun er gældende i forbindelse med rektangulært indløb. DW pumpen inklusiv rektangulært indløb må kun tages i brug og/eller serviceres, hvis man er i besiddelse af den komplette hovedmanual for DW

AfsnitSide Beskrivelse

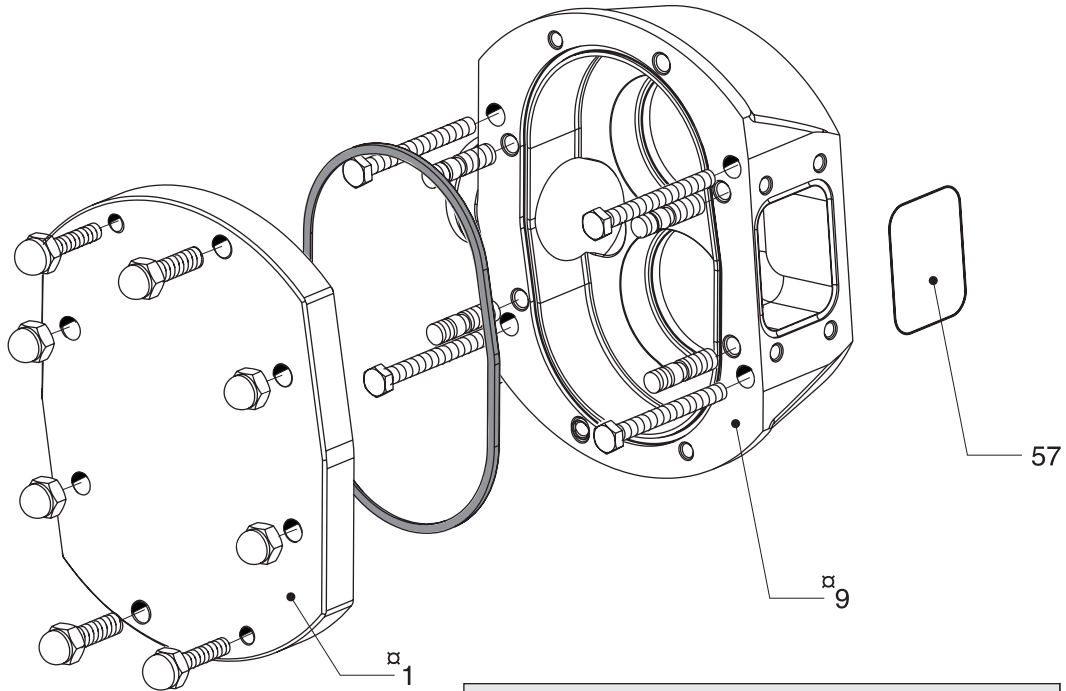
8.4.1	1	Pumpe med rektangulært indløb
8.4.2	2	Målskitse

This is an appendix manual and applies only with rectangular inlet. The DW pump fitted with the rectangular inlet must be put into operation or serviced only if one has the complete DW manual available.

Section Page Description

8.4.1	1	Pump with rectangular inlet
8.4.2	2	Dimensions sketch

8.4.1 Pumpe med rektangulært indløb / Pump with rectangular inlet

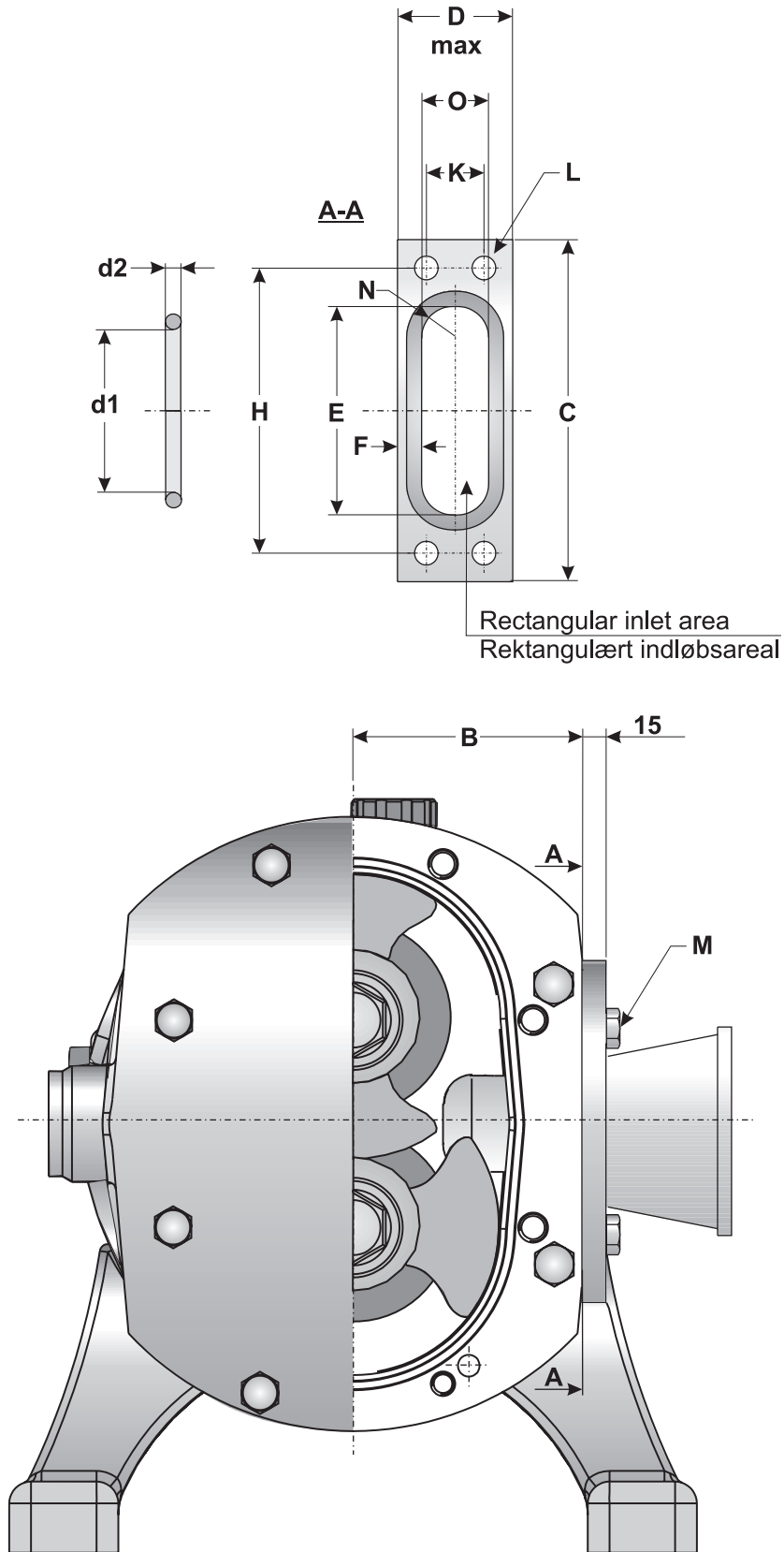


Pos	Stk/Qty	Material	Benævnelse	Description	Del nr. / Part No.			
					Piston	Lobe	Lobe	Lobe
∅9	1	316L	Rotorhus	Rotor case	DW1/003/-	DW1/004/-	DW1/007/-	DW1/007/15_600
57	1	EPDM	O-ring	O-ring	LAR17021003	LAR17021003	LAR17021007	LAR17021007
-	-	FPM (Viton)	-	-	L25075104	L25075104	L25076104	L25076104
-	-	ISOLAST	-	-	L25075102	L25075102	L25076102	L25076102
-	-	ISOLAST	-	-	L25075115	L25075115	L25076115	L25076115
					DW2/006/-	DW2/007/-	DW2/013/-	DW2/013/15_600
∅9	1	316L	Rotorhus	Rotor case	LAR17022006	LAR17022006	LAR17022013	LAR17022013
57	1	EPDM	O-ring	O-ring	L25077204	L25077204	L772239	L772239
-	-	FPM (Viton)	-	-	L25077202	L25077202	L772257	L772257
-	-	ISOLAST	-	-	L25077215	L25077215	L25083215	L25083215
					DW3/014/-	DW3/017/-	DW3/030/-	DW3/050/-
∅9	1	316L	Rotorhus	Rotor case	LAR17023014	LAR17023014	LAR17023030	LAR17023050
57	1	EPDM	O-ring	O-ring	L25078304	L25078304	L25079304	L772150
-	-	FPM (Viton)	-	-	L25078302	L25078302	L25079302	L772153
-	-	ISOLAST	-	-	L25078315	L25078315	L25079315	L25084315
					DW4/033/-	DW4/039/-	DW4/073/-	DW4/125/-
∅9	1	316L	Rotorhus	Rotor case	LAR17024033	LAR17024033	LAR17024073	LAR17024125
57	1	EPDM	O-ring	O-ring	L772241	L772241	L25056404	L25080404
-	-	FPM (Viton)	-	-	L772259	L772259	L25056402	L25067602
-	-	ISOLAST	-	-	L25085415	L25085415	L25086415	L25080415
					DW5/080/-	DW5/093/-	DW5/142/-	
∅9	1	316L	Rotorhus	Rotor case	LAR17025080	LAR17025080	LAR17025142	
57	1	EPDM	O-ring	O-ring	L25081504	L25081504	L25082504	---
-	-	FPM (Viton)	-	-	L25081502	L25081502	L25082502	
-	-	ISOLAST	-	-	L25081515	L25081515	L25082515	
					DW6/172/-	DW6/198/-	DW6/308/-	DW6/519/-
∅9	1	316L	Rotorhus	Rotor case		LAR17016198	LAR17016308	
57	1	EPDM	O-ring	O-ring		L25072004	L25074604	
-	-	FPM (Viton)	-	-	#	L25072002	L25074602	#
-	-	ISOLAST	-	-		L25072015	L25074601	
∅ 1	1	316L	Frontdæksel	Frontcover		LAR1100600	LAR1100600	

Kontakt APV for ikke angivne pumpestr. / Contact APV for not specified pump sizes

NB! Ovenstående ∅ varenumre, dækker ikke pumper solgt med 3.1 certifikat.
 For 3.1 reservedele, kontakt APV.
 ∅ Part No. mentioned above, do not cover pumps sold with 3.1 certificate.
 For 3.1 spare parts, contact APV.

8.4.2 Målskitse - rektangulært indløb / Dimensions sketch - rectangular inlet



8.4.2 Målskitse - rektangulært indløb / Dimensions sketch - rectangular inlet

Pump model	B	C	D	E	F	H	K	L	M (*)	N	O	Area (mm ²)	O-ring (d1 x d2)
DW1/003/-	64	84	27	43.4	5.3	67.4	15	ø7	M6 x 25 (4)	R3	16	687	36.2 x 3.0
DW1/004/-	64	84	27	43.4	5.3	67.4	15	ø7	M6 x 25 (4)	R3	16	687	36.2 x 3.0
DW1/007/-	64	80	32.1	43.2	4.8	68	20.1	ø6	M5 x 25 (4)	R7	22.6	934	38.5 x 3.0
DW2/006/-	70	97	36	52	4.8	82	20	ø7	M6 x 25 (4)	R5	22.6	1154	45.2 x 3.0
DW2/007/-	70	97	36	52	4.8	82	20	ø7	M6 x 25 (4)	R5	22.6	1154	45.2 x 3.0
DW2/013/-	71	100	45	54	4.4	82	30.5	ø7	M6 x 25 (4)	R8	35.65	1870	54.5 x 3.0
DW3/014/-	83	104	48	62	4.7	85.4	33	ø7	M6 x 25 (4)	R9	35.6	2138	58.0 x 3.0
DW3/017/-	83	104	48	62	4.7	85.4	33	ø7	M6 x 25 (4)	R9	35.6	2138	58.0 x 3.0
DW3/030/-	84	102	60	62	4.5	84	19	ø7	M6 x 25 (6)	R10	48.6	2927	66.0 x 3.0
DW3/050/-	83	104	74	62	4.5	85.4	28	ø7	M6 x 25 (6)	R10	55.4	3349	69.5 x 3.0
DW4/033/-	101	122	58	82	4.5	103	38	ø9	M8 x 25 (4)	R10	48.6	3899	79.5 x 3.0
DW4/039/-	101	122	58	82	4.5	103	38	ø9	M8 x 25 (4)	R10	48.6	3899	79.5 x 3.0
DW4/073/-	101	122	82	79	5.1	103	62	ø9	M8 x 25 (4)	R10	72.9	5673	92.0 x 3.0
DW4/125/-	101	122	102	82.6	9	104	82	ø9	M8 x 25 (4)	R10	86	7018	104.5 x 3.0
DW5/080/-	135	153	72	110	6.8	135	52	ø9	M8 x 25 (4)	R15	60.35	6445	101.0 x 3.0
DW5/093/-	135	153	72	110	6.8	135	52	ø9	M8 x 25 (4)	R15	60.35	6445	101.0 x 3.0
DW5/142/-	135	153	91	110	6	134.8	71	ø9	M8 x 25 (4)	R15	72.95	7831	109.0 x 3.0
DW6/198/-	185	276	85.1	183	10.2	256	48	ø11	M10 x 30 (4)	R15	66.9	12050	154.5 x 3.0
DW6/308/-	185	277	110.8	183	9	256	72	ø11	M10 x 30 (4)	R15	92.8	16789	172.0 x 3.0

(*) stk. skruer / off screws



Your local contact:



APV, An SPX Brand,
Platinvej 8
Denmark
Phone: +45 70 278 444 Fax: +45 70 278 445

For more information about our worldwide locations, approvals, certifications, and local representatives, please visit www.apv.com.

SPX reserves the right to incorporate our latest design and material changes without notice or obligation. Design features, materials of construction and dimensional data, as described in this bulletin, are provided for your information only and should not be relied upon unless confirmed in writing. Certified drawings are available upon request.