



M4/MP4 Aseptic Single Seat Valves

The DELTA M4 and MP4 aseptic single seat valves are designed for aseptic applications in the food, beverage, dairy, pharmaceutical and chemical industries.

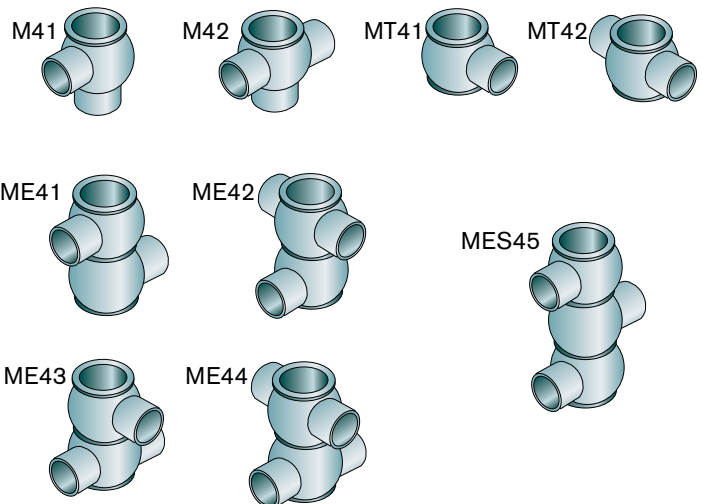
The DELTA M4 and MP4 valves are available in shut-off or divert design as well as for manifold (matrix) or tank outlet applications.

Features and Benefits

- The flat membrane design ensures tight seating and, thus, microbiological impermeability to the outside environment.
- The sterile barrier has a long lifetime — typically several hundred thousand strokes during normal operation due to its material flexibility and low stress mechanical design.
- Efficient sterilization due to open geometry without any dead areas or air pockets.
- Unlike conventional bellow designs, the smooth surface of the membrane and the shaft provide excellent cleanability.
- Ball-shaped housing offers excellent hygienic characteristics.
- Visible leakage detection on the housing cover.



M4 Housing Styles



Technical Data

Sizes

OD Tube..... 1"-4"

Materials

Stainless Steel (product wetted)..... S31603 (AISI 316L)
 Stainless Steel (non-product wetted) S30400 (AISI 304)
 Shaft Seals..... Elastomer o-ring (Nitrile)
 M4 Membrane TFM PTFE with
 EPDM Elastomer backing
 M4 Seat Seals..... Elastomer o-ring (EPDM,
 HNBR, FPM, VMQ
 Silicone)
 M4 Membrane/Shaft/Cone TFM PTFE

Operating Temperature (maximum)

EPDM/HNBR..... 275°F (135°C) or short
 time 284°F (140°C)
 VMQ (Silicone)..... 212°F (100°C)
 FPM (Viton) 212°F (100°C)

Pressure

Operating (max.) 75 psig (5 bar)
 Product holding (max.) Normally closed shut-off
 valve with standard size
 actuator: 1"=126 psig;
 1.5"=174 psig; 2"=155
 psig; 2.5"=62 psig;
 3"=137 psig; 4"=72 psig
 Control air (min.) 88 psig (6 bar)
 Control air (max.)..... 117 psig (8 bar)

Control Units

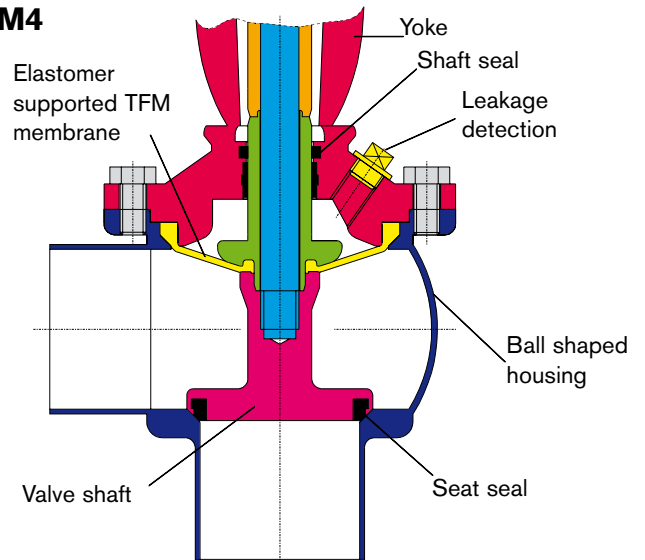


Control unit. DELTA M4 valves can be delivered with a comprehensive range of DELTA CU control units. Available in Direct Connect (24VDC or 110VAC) and fieldbus technology (AS-Interface, DeviceNet and Profibus).



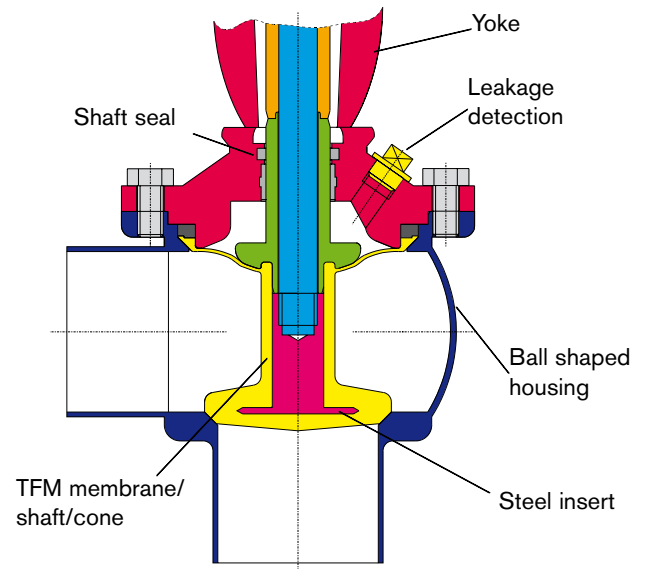
Proximity switch feedback cover. When open and/or closed valve position feedback is all that is needed, consider this simple and cost-effective alternative.

M4



DELTA M4 valves feature an elastomer supported flat TFM membrane. Suitable for most applications.

MP4



DELTA MP4 valves feature a TFM membrane, shaft & seat all in one piece. Especially suitable for applications where additional elastomer seals are not allowed or are incompatible.

APV, An SPX Brand
 Phone: (888) 278-4321
 Email: answers.us@apv.com

For more information about our worldwide locations, approvals, certifications, and local representatives, please visit www.apv.com.

SPX Corporation reserves the right to incorporate our latest design and material changes without notice or obligation.

Design features, materials of construction and dimensional data, as described in this bulletin, are provided for your information only and should not be relied upon unless confirmed in writing.

Issued: 01/2009 8010-01-08-2008-US Copyright © 2008 SPX Corporation

SPX
 WHERE IDEAS MEET INDUSTRY