

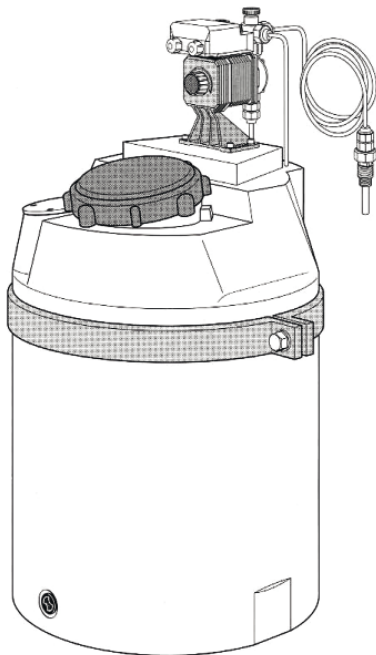


# Anti-Scaling Unit

## Application

To minimize scaling on the plates of the evaporator a suitable anti-scaling agent can be added to the feed water. This vastly increases the time needed between cleaning of the evaporator.

The quantity of agent that has to be added depends on the concentration of the type used, but under normal conditions it will be in the range of 2-7 ppm. However, the supplier's instructions must always be observed.

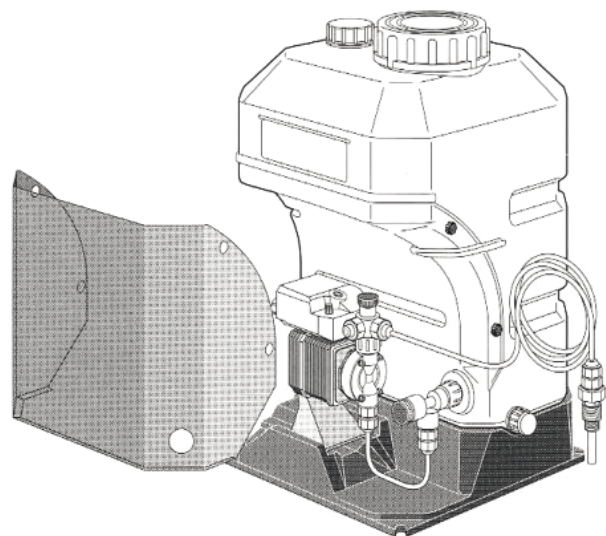


60 l unit

## Description

The unit consists of a 25 l, alternatively 60 l, polyethylene tank with a built-in diaphragm-type electromagnetic metering pump. The pump has an airvent mounted on the pressure side which has a return tube going back to the tank. It can be used in case of air on the suction side. A non return check valve and a 3 m tube on the discharge side are supplied as accessory.

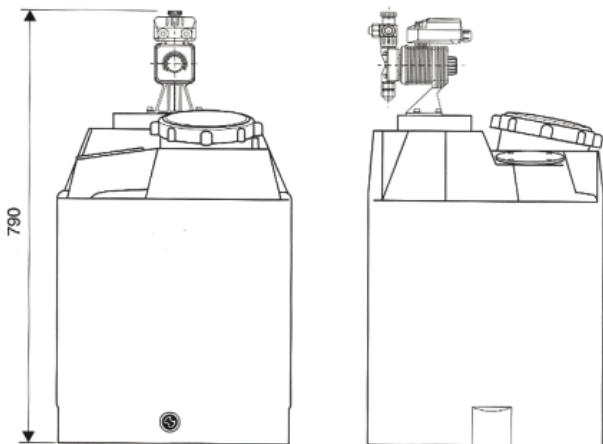
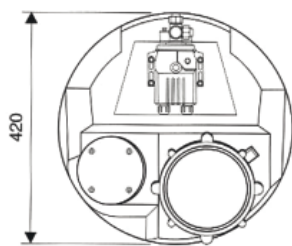
The capacity of the pump can be controlled by adjustment of the stroke length from 10% to 100% and the stroke rate from 0% to 100% equivalent to 1 to 360 strokes per minute.



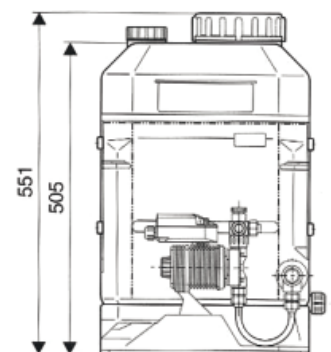
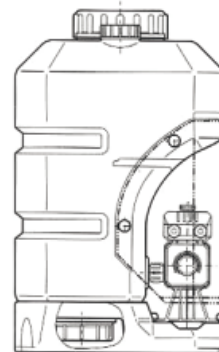
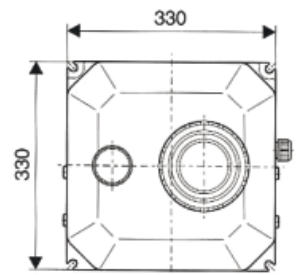
25 l unit

## Data Sheet Anti-Scaling Unit

DATA:	
Tank:	25 l handytank in polyethylene Alternatively: 60 l polyethylene tank
Pump:	IWAKI EH-B10-VC
Capacity:	2.28l/h at 10 bar 0.106 ml/stroke
Current consumption:	16 W
Power supply:	230 V $\pm$ 10% and 110 V $\pm$ 10%
Pump head:	PVC
Ball valve:	Ceramics
Valve seat and O-ring:	FKM-A
Valve guide:	PVC
Gasket:	PTFE
Diaphragm:	PTFE coated EPDM



60 l Unit



25 l Unit

APV, An SPX Brand, Platinvej 8, Kolding, Denmark  
Phone: +45 70 278 444 Fax: +45 76 324 156  
Email: [heat.europe@apv.com](mailto:heat.europe@apv.com)

For more information about our worldwide locations, approvals, certifications, and local representatives, please visit [www.apv.com](http://www.apv.com).

SPX Corporation reserves the right to incorporate our latest design and material changes without notice or obligation. Design features, materials of construction and dimensional data, as described in this bulletin, are provided for your information only and should not be relied upon unless confirmed in writing.

Issued: 03/2009 1168-01-03-2009-GB Copyright © 2009 SPX Corporation

**SPX**<sup>®</sup>  
WHERE IDEAS MEET INDUSTRY